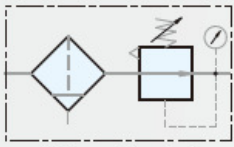


Symbol



Filter Regulator

Features

- * Remove water and particle effectively.
- * 40 μ m and 5 μ m filter element are easily interchangeable and replaceable.
- * Accurate and easy pressure setting.



Patent number in Taiwan : 684011
 Patent number in China : ZL200420019530. 2
 Patent category : Pressure regulating constructions

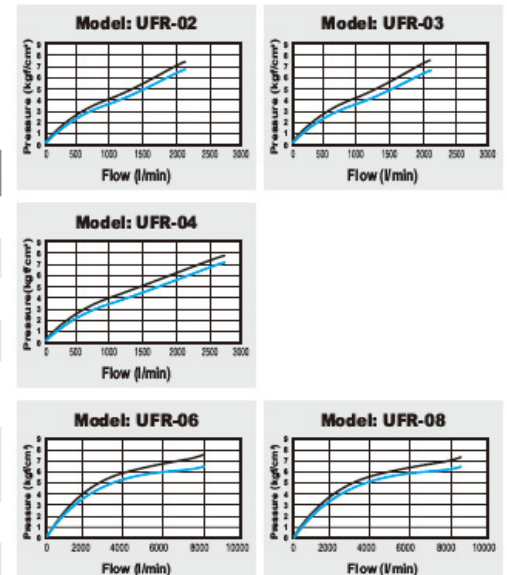
How to order

UFR	-	02	N	C	H	A
Filter Regulator		Port size	Thread	Filtration	Drain	Bowl
		02 1/4"	Blank G	PE	Blank Semi-auto drain	Blank Standard bowl
		03 3/8"	N NPT	Blank 5 μ m	H Manual drain	A Anti-acid & alkali bowl
		04 1/2"	R Rc	C 40 μ m	D Auto drain	AL Aluminum bowl (1/4"~1/2")
		06 3/4"		Sintered brass		
		08 1"		S 5 μ m		
				T 40 μ m		

Specifications

Model	UFR-02	UFR-03	UFR-04	UFR-06	UFR-08
Port size	1/4"	3/8"	1/2"	3/4"	1"
Fluid	Compressed air				
Regulator construction	Piston				
Body material	Aluminum die-cast				
Bowl material	Polycarbonate (Standard), Anti-acid & alkali bowl (Option), Aluminum bowl (Option)				
Filtration	PE: 5 μ m (Standard), 40 μ m (Option) Sintered brass (Option): 5 μ m, 40 μ m				
Operating pressure range	0.5 ~ 10 kgf/cm ²				
Proof pressure (Standard bowl)	15 kgf/cm ²				
Max. flow rate l/min (ANR)	2080	2100	2600	7940	8200
Ambient temperature	-10 $^{\circ}$ C ~ 60 $^{\circ}$ C				
Filter bowl capacity	105cc			210cc	
Standard drain	Semi-auto drain (Drains below 0.5kgf/cm ²)				
Net weight	930g (W/ Aluminum bowl, 1230g)			1360g	
Accessories	Pressure gauge, Mounting bracket set, Plug				

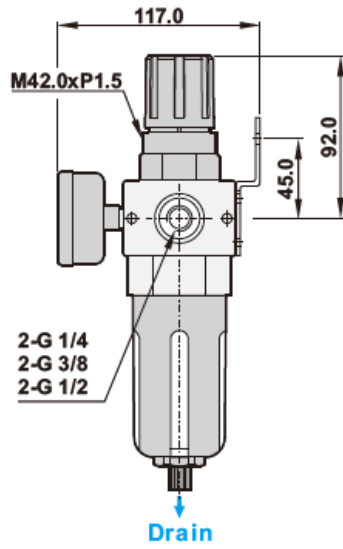
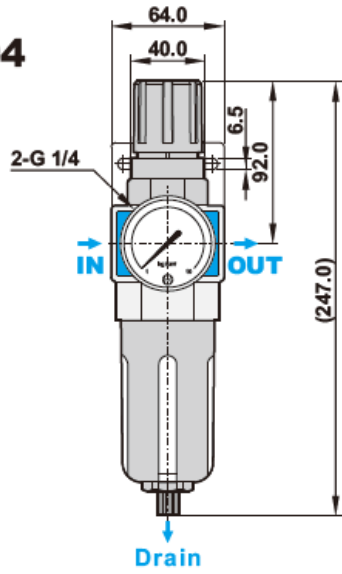
Flow chart



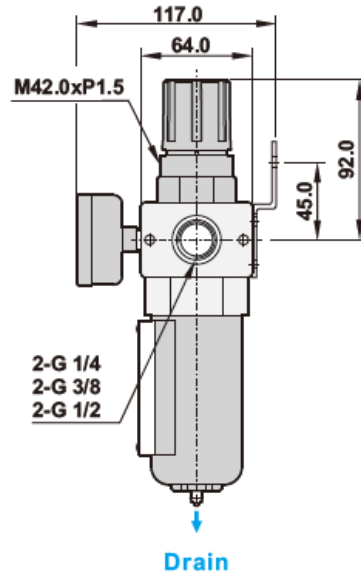
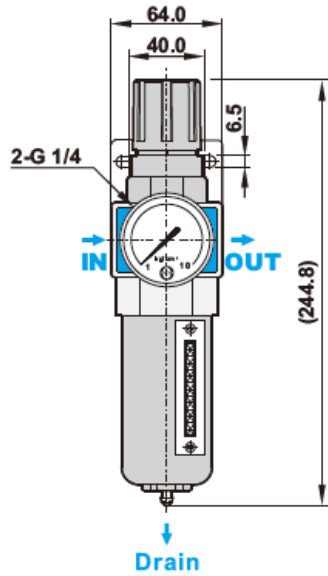
Note:
 X axis: Flow (l/min)
 Y axis: Pressure (kgf/cm²)
 Blue line (P0) = Outlet pressure
 Black line (P1) = Inlet pressure
 P1-P0 = Pressure range

Dimensions

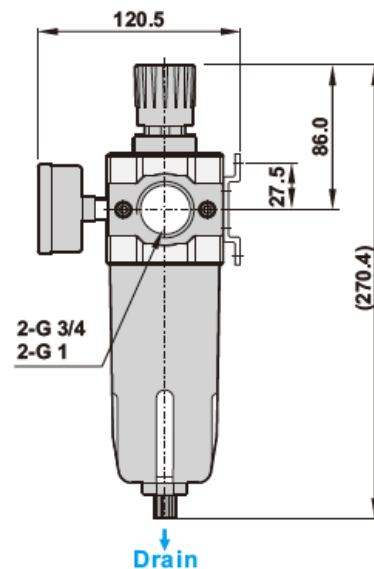
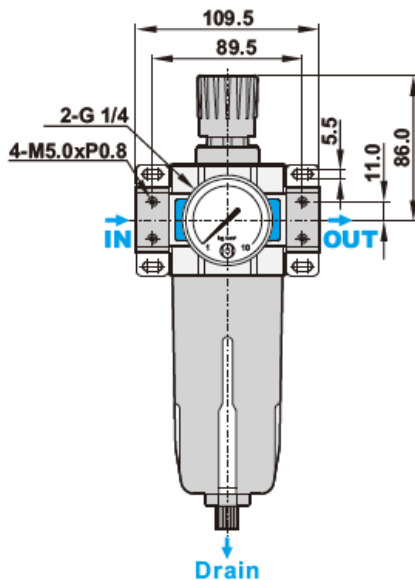
UFR-02, 03, 04



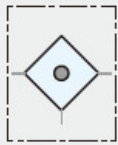
UFR-02AL, 03AL, 04AL (Aluminum bowl)



UFR-06, 08



Symbol



Filter

Features

- * UMF series effectively removes oil, water, carbon and particle.
- * With 0.01 μ m glass fiber filter element.
- * High quality control ensures stable running and long life.
- * Convenient to see air quality from pressure indicator, prevent the filter element from clogging.

Note: Please install air filter UF series upstream to extend life of filter element.



How to order

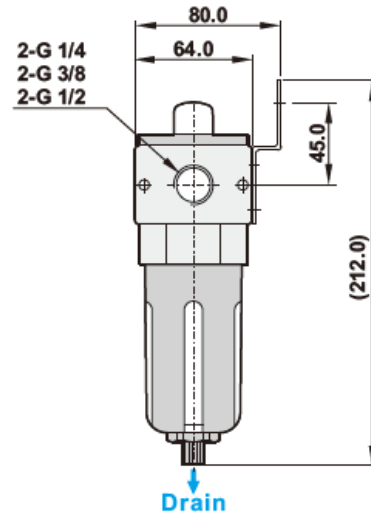
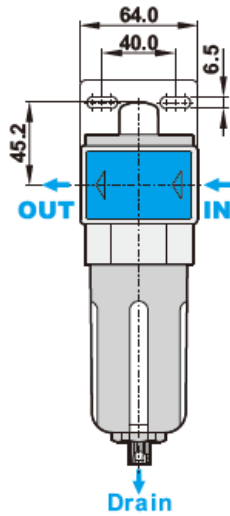
UMF		- 02		N		K		H		B		A	
Coalescing filter		Port size		Thread		Filtration		Drain		Mounting bracket		Bowl	
	02	1/4"	Blank	G	Blank	0.01 μ m	Blank	Semi-auto drain	Blank	W/O bracket	Blank	Standard bowl	
	03	3/8"	N	NPT	L	0.1 μ m (Only for 02,03,04)	H	Manual drain	B	W/I bracket	A	Anti-acid & alkali bowl	
	04	1/2"	R	Rc	K	Activated charcoal filter element (0.01 μ m)					AL	Aluminum bowl (1/4"~1/2")	
	06	3/4"											
	08	1"											

Specifications

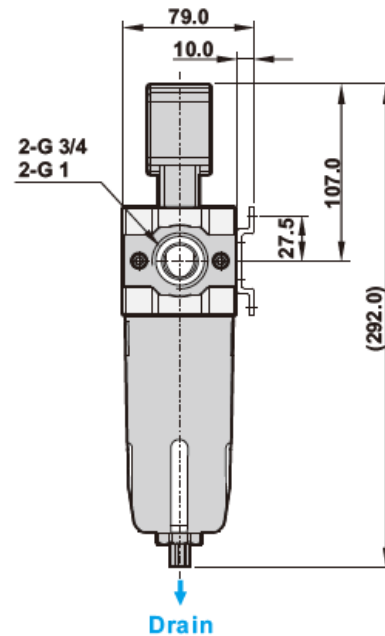
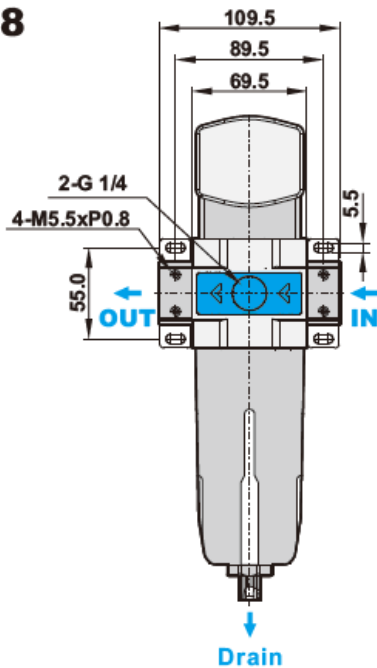
Model	UMF-02	UMF-03	UMF-04	UMF-06	UMF-08
Port size	1/4"	3/8"	1/2"	3/4"	1"
Fluid	Compressed air				
Body material	Aluminum die-cast				
Bowl material	Polycarbonate (Standard), Anti-acid & alkali bowl (Option), Aluminum bowl (Option)				
Filtration	0.01 μ m (Standard)				
Operating pressure range	0.5 ~ 10 kgf/cm ²				
Proof pressure	15 kgf/cm ²				
Max. flow rate l/min(ANR)	2050	2100	2150	3800	3850
Ambient temperature	0 $^{\circ}$ C ~ 60 $^{\circ}$ C				
Filter bowl capacity	65cc			115cc	
Standard drain	Semi-auto drain (Drains below 0.5kgf/cm ²)				
Net weight	600g			1200g	

Dimensions

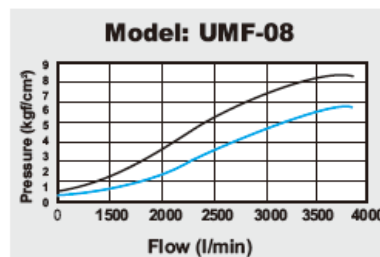
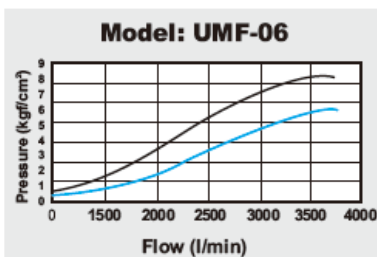
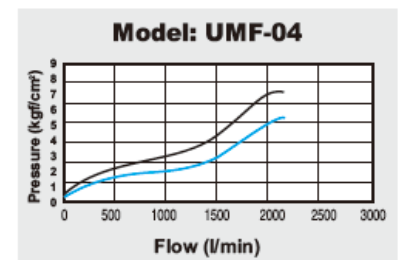
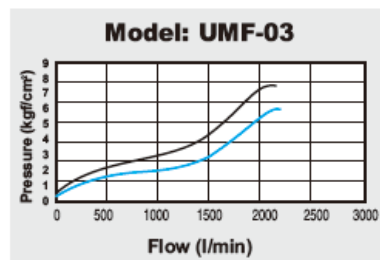
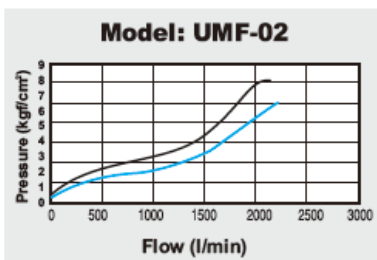
UMF-02, 03, 04



UMF-06, 08



Flow chart



Note:

X axis: Flow (l/min)

Y axis: Pressure (kgf/cm²)

Blue line (P0) = Outlet pressure

Black line (P1) = Inlet pressure

P1-P0 = Pressure range