

MAGNETIC LATCHING VERSION

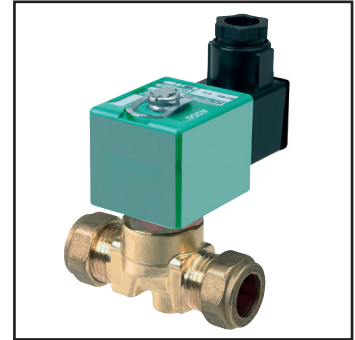
fluids (*)	temperature range (TS)	seal materials (*)
water	0°C to +85°C	EPDM

ELECTRICAL CHARACTERISTICS

Coil insulation class	F (DC)
Standard voltages	DC (=) : 3V - 6V - 9V - 12V

operator ambient temperature range (TS) (°C)	power ratings		replacement coil ⁽¹⁾	
	hot/cold =		=	
	(W)			
	640	641/642/643/644	6 V DC	12 V DC
0 to +40	2,5	-	400927-003	400927-005
	-	6	400927-007	400927-014

⁽¹⁾ All coils 400 series are not UL & CSA approved.


SPECIFICATIONS

pipe size	orifice size (mm)	flow coefficient Kv (m³/h) (l/min)	operating pressure differential (bar)		power coil (W)	thread type	dimensions / type ⁽²⁾	15-DIGIT PRODUCT CODE										
			max. (PS)					brass	voltage code									
			water (*)						3 V/DC	6 V/DC	9 V/DC	12 V/DC	24 V/DC					
WITHOUT MANUAL OPERATOR																		
EPDM seal and disc																		
15 mm compression fittings	1,2	0,05	0,8	0	10	2,5	H	03	H262K640S1EM0									
	2,0	0,15	2,5	0	10	6	H	03	H262K641S1EM0									
	3,2	0,30	5,0	0	3	6	H	03	CD	E7	E8	F3	F1					
	4	0,45	7,5	0	2	6	H	03						H262K642S1EM0				
	6,7	0,82	13,7	0	0,7	6	H	03						H262K643S1EM0				
					H262K644S1EM0													

⁽²⁾ For dimensions, see drawing(s) for each construction type on the following page(s).

(*) Ensure that the compatibility of the fluids in contact with the materials is verified.

15-DIGIT PRODUCT CODE FOR MAGNETIC LATCHING VERSION ONLY
H 262 K 640 S1 EM0 E7

Thread connection
H = 15 mm compression fittings

Product series
262

Revision letter
K = Initial release

Valves version
640
641
642
643
644

Electrical interface
S1 = With spade plug connector

[Configurator - CAD Files](#)

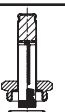
Voltage - class

CD = 3 V DC - class H
E7 = 6 V DC - class H
E8 = 9 V DC - class H
F3 = 12 V DC - class H
F1 = 24 V DC - class H

Options

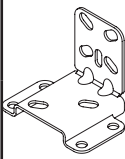
Without manual operator
EM0 = EPDM disc and seals, WRAS approved
PM0 = EPDM disc and seals, Panel Mount, WRAS approved

SPARE PARTS KITS CODE (*)

		DC (=)	
		EPDM (+ WRAS)	
	H262K640 / H262K641 H262K642 / H262K643 H262K644	M200001	EM0




ISO9001:2015
Certificate UK/14/0505020984

		ACCESSORIES CODE
	Mounting bracket Steel version (AISI 1010 / 1.1121)	M200094A00
	Mounting bracket Stainless steel version (AISI 304 / 1.4301)	M200095A00

INSTALLATION

- The solenoid valves can be mounted in any position without affecting operation
- Solenoid valves have 2 mounting holes in body
- Thread connection “E” applicable for 1/4 have standard thread according to ISO 228/1 and ISO 7/1. Thread connection “G” applicable for 1/8, have standard thread according to ISO 228/1
- Thread connection “8” have standard thread = NPT (SAE 71051)
- Thread connection “H” have 1/2” male ‘G’ thread according to BS 2779 plus cap-nut and olive
- Installation/maintenance instructions are included with each valve

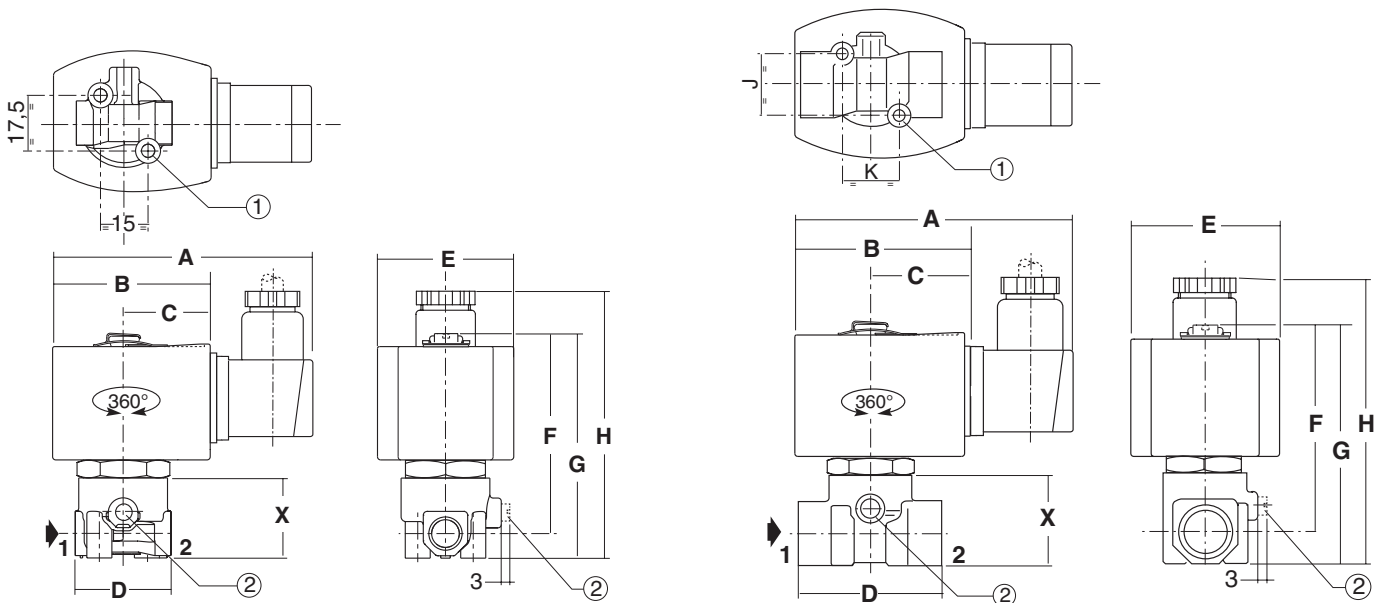
DIMENSIONS (mm), WEIGHT (kg) 

TYPE 01

Electrical interface “S1”
Epoxy moulded
IEC 335 / ISO 4400
IP65

1/8, power coil 8,1 W / 10,6 W and 11,1 W / 18,6 W

1/4, power coil 8,1 W / 10,6 W and 11,1 W / 18,6 W



type	pipe size	A	B	C	D	E	F	G	H	X	weight ⁽¹⁾
01	1/8	88	51	30	30	43	62	71	88	26	0,30
	1/4	88	51	30	40	43	65	75	92	30	0,42

⁽¹⁾ Incl. coil(s) and connector(s).

- ① 2 mounting holes:
M5 dia., depth 6,5 mm (1/8)
M5 dia., depth 7,5 mm (1/4)
- ② Manual operator location

