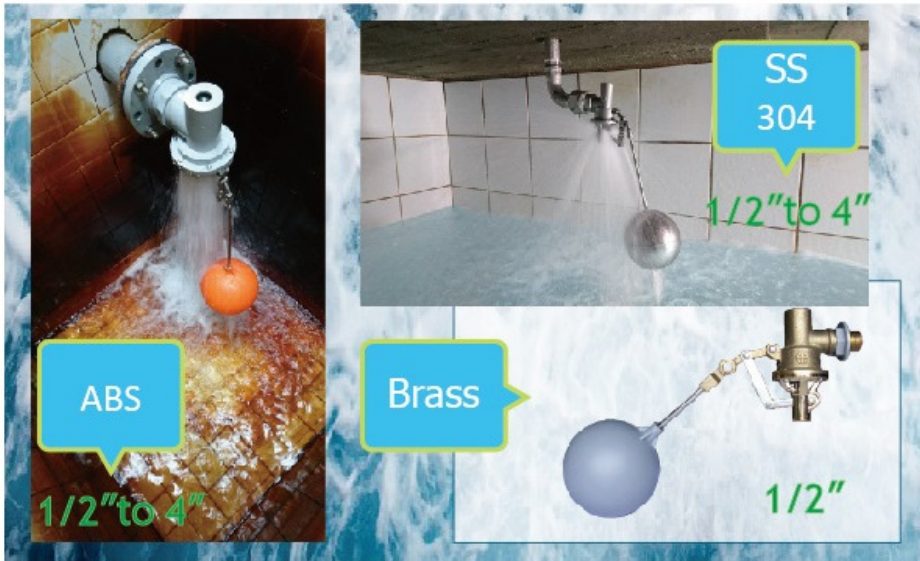


## Balanced Float Valve

### Feature

1. Balance pressure between piston and Valve.
  2. Smaller ball and shorter level can bear high pressure.
  3. Abundant flow.
  4. Adjustable water level.
  5. No poison, no pollution.
- Discharge the water scale easily.



## Stainless balanced level control valve

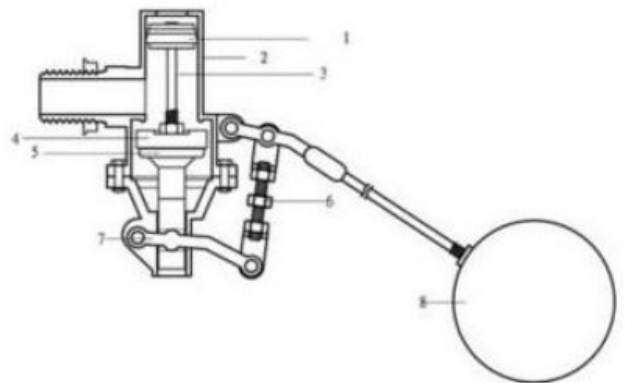
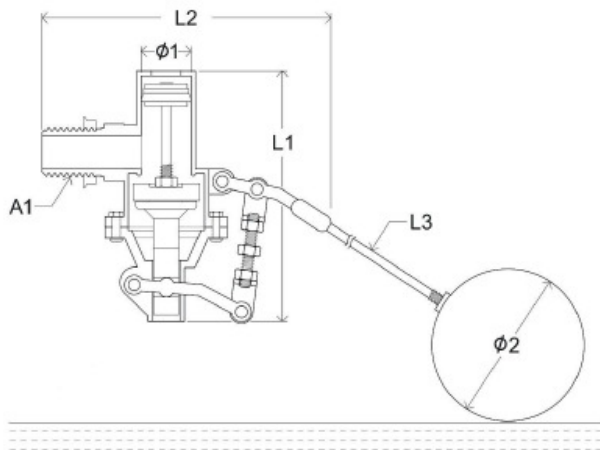


Table of Sizes (mm)				SS304 Float Ball		
A1 (BSP)	L1	L2	$\phi 1$	L3	$\phi 2$	Weight Kg
1/2	110	133	20	170	100	0.67
3/4	110	145	20	170	100	0.72
1	110	145	20	170	100	0.76
1 1/2	170	120	30	300	150	1.75
2	210	130	40	400	150	2.42
3	240	160	60	420	200	5.67

Material Specs		
1	U Ring	EPDM / Silicone
2	Main body	Stainless 304
3	Shaft	Stainless 304
4	U Ring	EPDM / Silicone
5	Piston	Stainless 304
6	Adjusting Screw	Stainless 304
7	Lifting Gear	Stainless 304
8	Float Ball	Stainless 304