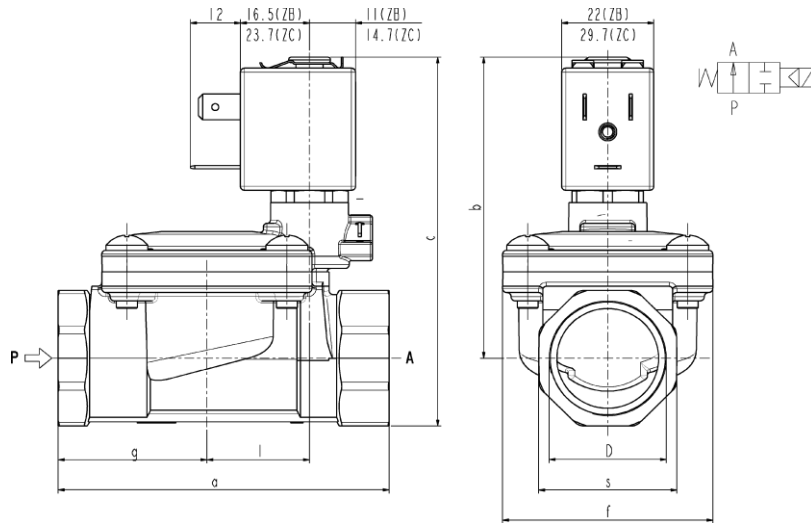


**SOLENOID VALVE WORLD**  
**2/2 – NO (Normally Open)**  
**Pilot operated**  
**G 3/8 ÷ G 1**

**L282**



D	a	b	c	f	g	l	s
G 3/8	60	67	78	40	25.5	20	22
G 1/2	66	69	83	40	29	20	27
G 3/4	79	73,5	90	50	35,5	24,5	33
G 1	105	86	107	71	46	28	42

**► GENERAL FEATURES**

Diaphragm valve, pilot operated, having full orifice.  
 Suitable to shut off liquid and gaseous fluids (verify the compatibility of fluid with material in contact).

**► TECHNICAL FEATURES**

Maximum allowable pressure (PS)	20bar
Opening time	from ~300ms to ~1500ms
Closing time	from ~1000ms to ~2000ms
Fluid temperature	-10°C +90°C (NBR) 0°C +130°C (FPM)
Max viscosity	5°E (~37 cStokes or mm <sup>2</sup> /s)

**► MATERIALS IN CONTACT WITH FLUID**

Body	Brass
Sealing	NBR or FPM
Internal components	Brass and stainless steel
Seat	Brass
Core tube	Stainless steel
Shading coil	Copper

**► COIL**

Approval	
Encapsulation material	
Insulation class	
Ambient temperature	
Continuous duty	
Electric connection	
Protection degree	
Voltages	DC AC

ZB10K ZC10A	ZB12K ZC12A	ZB14K ZC14A
/	▲ UL and CSA	▲ UL and CSA
PA fiberglass reinforced F (155°C)	PET fiberglass reinforced F (155°C)	PET fiberglass reinforced H (180°C)
-10°C +60°C	-10°C +60°C	-10°C +75°C
ED 100%		
DIN46340-3poles plug connector (EN175301-803for ZC)		
IP 65 (EN 60529) with plug connector	IP 67 (EN 60529) with plug connector	IP 67 (EN 60529) with plug connector
<b>ZC: 12-24V (+10% -5%)</b>		
<b>ZB: 24V/50-60Hz - 120V/60Hz - 230V/50-60Hz - 220-230/50Hz 208-240/60Hz (on request) - (+10% -15%)</b>		

(Other voltages and frequencies on request)

▲ : approval valid for ZB12K – ZB14K only

Port size ISO 228	Orifice size (mm)	Δp min	Differential pressure (bar)				Kv (m <sup>3</sup> /h)	Series and type		Power absorption				Sealings	Notes	Weight (kg)								
			Δp max					Valve	Coil	AC (VA)			DC											
			Gas		Liquids					Inrush	Holding	DC												
AC	DC	AC	DC	VA	VA	W	W																	
3/8	13,5	0,35	12	12	-	-	2,5	ZB10K ZB12K	11,7	10	7,6	-	NBR FPM	-	0,32									
																L282B01	L282V01							
1/2	18		10	10	-	-										3,8	ZC10A ZC12A	-	-	-	5,5	NBR FPM	-	0,38
3/4	24		12	12	-	-										5	ZB10K ZB12K	11,7	10	7,6	-	NBR FPM	-	0,52
1	13,5		10	10	-	-	12	ZC10A ZC12A	-	-	-	5,5	NBR FPM	-	1,08									
																L282B01	L282V01							
3/8	18		12	12	-	-	2,5	ZB10K ZB12K	11,7	10	7,6	-	NBR FPM	-	0,32									
																L282B01	L282V01							
1/2	24		10	10	-	-	3,8	ZC10A ZC12A	-	-	-	5,5	NBR FPM	-	0,38									
																L282B01	L282V01							
3/4	13,5	12	12	-	-	5	ZB10K ZB12K	11,7	10	7,6	-	NBR FPM	-	0,52										
															L282B01	L282V01								
1	18	10	10	-	-	12	ZC10A ZC12A	-	-	-	5,5	NBR FPM	-	1,08										
															L282B01	L282V01								

**► NOTES**

- Sealings: NBR=Nitrile-butylene elastomer FPM=Fluoro-carbon elastomer
- Operation with gaseous media, at high pressure without any outlet restriction, can reduce the diaphragm life.
- On request coil in class H (ZB14K – ZC14A - see § "COIL")
- On request **WRAS** certified solenoid valve with EPDM sealing (certificate n° 1411048).

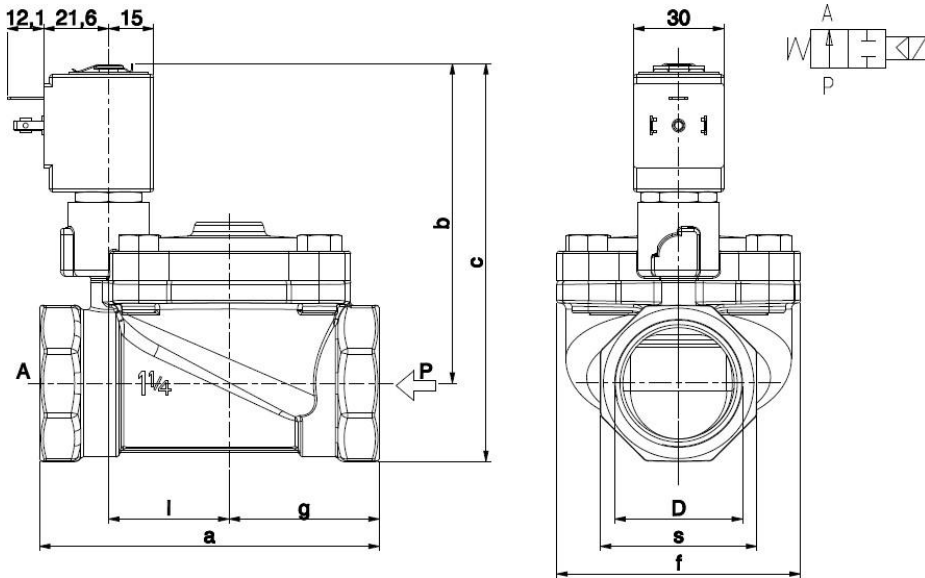
SOLENOID VALVE WORLD  
**2/2 – NO (Normally open)**  
 Pilot operated  
**G1 ¼ ÷ 2**

L282D-BIG

G 1" ¼ ÷ 2"



D	a	b	c	f	g	l	s
G 1 ¼	113	106	132	81	50	40	52
G 1 ½	140	110	140	110	64	53	60
G 2	157	114	150	110	72	53	72



► **GENERAL FEATURES**

Diaphragm valve, pilot operated, having full orifice.  
 Suitable to shut off liquid and gaseous fluids (verify the compatibility of fluid with materials in contact).  
 Not suitable for use with dangerous fluids listed in Group 1, therefore they are free from CE marking in conformity with article 3 § 3 of the European Directive 97/23/EC (Pressure Equipment Directive).  
 certified solenoid valves (certificate n. 1411048).

► **TECHNICAL FEATURES**

Maximum allowable pressure (PS)	10 bar
Opening time	from ~300ms to ~1500ms
Closing time	from ~1000ms to ~2000ms
Fluid temperature	-10°C +85°C
Max viscosity	5°E (~37 cStokes or mm <sup>2</sup> /s)

► **MATERIALS IN CONTACT WITH FLUID**

Body	Brass
Sealing	EPDM
Internal components	Brass and stainless steel
Seat	Brass
Guide assembly	Stainless steel
Shading ring	Copper WRAS

► **COIL**

Approval	UL (class F) – for UL cl.H: ZA34
Continuous duty	ED 100%
Encapsulation material	PPS (Polyphenilsulfure) fiberglass reinforced
Coil insulation class	F (155°C) on request class H (180°C)
Ambient temperature	-10°C +50°C
Electric connection	DIN 46340 - 3 poles connector (EN175301-803)
Protection degree	IP 67 (EN 60529) with plug connector
Voltages	DC <b>ZA10A:</b> 12-24V (+10% -5%) AC <b>ZA10YE:</b> 24V/50Hz - 110V/50Hz (120V/60Hz) - 230V/50Hz (+10% -15%) (Other voltages and frequencies on request)

Port size ISO 228	Orifice size (mm)	Differential pressure (bar)				Kv (m <sup>3</sup> /h)	Series and type		Power absorption			Sealings	Notes	Weight (kg)
		Δp max					Valve	Coil	AC (VA)		DC (W)			
		Gases		Liquids					Inrush	Holding				
G 1 ¼	30	0,50	10	-	10	-	L282D48	ZA10Y	28	20	-	EPDM	-	1,590
G 1 ½	45		9	-	9	-								2,510
G 2	45		-	10	-	10								2,990
G 1 ¼	30		-	10	-	10								1,590
G 1 ½	45		-	9	-	9								2,510
G 2	45		-	9	-	9								2,990

► **NOTE**

- Sealings: EPDM = Ethylene-propylene elastomer
- Operation with gaseous fluids at high pressure without any outlet restriction can reduce the diaphragm life.
- UL approved coil (E153691)