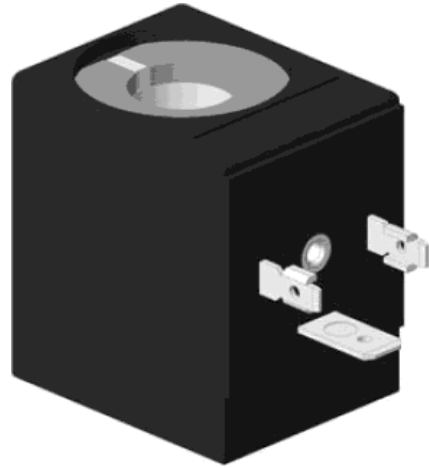
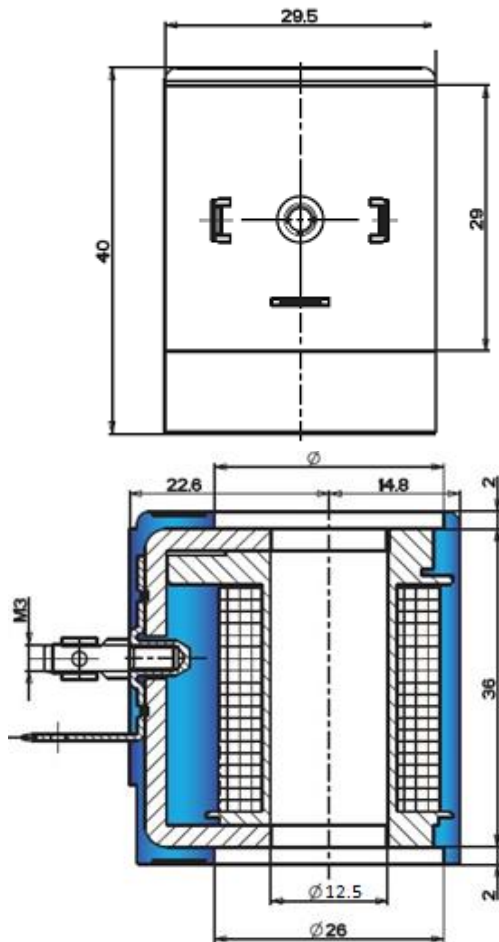


Solenoid Coil Type 11630



Characteristics

	DC	AC (50 Hz)	AC (60 Hz)
Rated Power DC	Watts	23	19
Rated Power AC	VA	13	11
Coil temperature rise @ 50°C ambient	50	50	45
Copper temperature rise @ 50°C ambient	85	70	60

Electrical termination:

Terminals EN 175301 – 803 / DIN 43650 A

Voltage tolerance +/- 10%

Temperature range: -20°C to +50°C ambient

Duty cycle: 100%

Standard voltages: 24 – 110 – 230 – 380 VAC

12 – 24 – 48 VDC

Other voltages upon request.