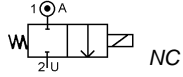


Media: mains gas - air
 Pressure range: 0 to 200 mBar max
 Media temperature: 60°C max
 Ambient temperature: -15°C to +60°C
 Mounting: coil upright
 Opening - Closing Time: 1 Sec Max
 Class A Group 2 EN161 Gas Approved
 Gas type I, II, III family EN437



EN161 Gas Valves

1/2 – 2" DN50 – DN150

NORMALLY CLOSED

Slam Shut Safety Valves

0 – 200mBar

TYPE VMR



PRESSURE

Ø Port BSP	Ø Orifice (mm)	Power Consumption		Flow (m³/hr)	Pressure Rating (mBar)		Part Number
		Inrush	Hold		Min	Max mBar	
1/4	6	8		0.55	0	200	VMR010TN + voltage
1/2	10	16		1.3	0	200	VMR120TN + 230vAC
3/4	20	25		9.5	0	200	VMR22 + 230vAC
1	25	45		12	0	200	VMR32 + 230vAC
1 1/4	32	120	30	20	0	200	VMR352 + 230vAC
1 1/2	40	120	30	26	0	200	VMR42 + 230vAC
2	50	120	30	40	0	200	VMR62 + 230vAC
PN16 Flange							
DN65	65	180	45	63	0	200	VMR72 + 230vAC
DN80	80	180	45	80	0	200	VMR82 + 230vAC
DN100	100	280	70	148	0	200	VMR92 + 230vAC
DN125	125	320	80	250	0	200	VMR932 + 230vAC
DN150	150	320	80	315	0	200	VMR952 + 230vAC

OPTIONS

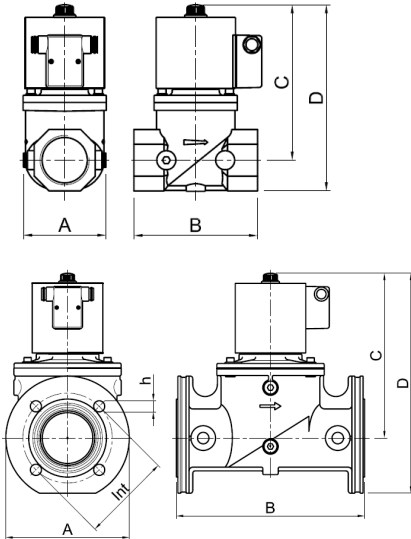
IP54 Coil & Connector PG9 – DIN 43650 A & Flow Adjustment, Metal mesh filter
 Closed Position Indicator (PCS4 1 1/4+1 1/2, PCS6 2", PCS8 2 1/2+3", PCS9 4", PCS95 5+6", PCS98 8" + PCS910 10")
 Other voltage: 110vAC, 24vAC/DC or 12vAC/DC
 Other pressures: 360mBar (DN65-DN150), 500mBar (1/2 to 2") or 6 Bar (1/2 to DN100) AC 230-110vAC only
 ATEX, Biogas or Coke Gas corrosive gases (suffix J)

Included

CONSTRUCTION

Body: VMR22 to VMR952 Aluminium, VMR010TN & VMR120TN Brass, Tube and internal parts: Stainless steel
 Seals and gaskets: NBR

DIMENSIONS



Port	A	B	C	D	Int	Holes	Kg
1/4	30	46	66.5	75			0.27
1/2	30	58	95	110			0.4
3/4	88	96	145	168			2.5
1	88	96	145	168			2.5
1 1/4	120	153	191	224			5.7
1 1/2	120	153	191	224			5.7
2	106	156	195	234			6
DN65	200	305	266	355	145	4X18	14
DN80	200	305	266	355	160	8X18	14
DN100	250	350	352	452	180	8X18	33
DN125	310	460	430	600	210	8X18	58
DN150	310	460	430	600	240	8X23	60

