

PROPORTIONAL AIR REGULATOR

EPV Series



Ordering code

EPV	2	—	5	0	3	1		2	S	
------------	----------	---	----------	----------	----------	----------	--	----------	----------	--

Model

1	1 Type
2	2 Type
3	3 Type

Range

1	0.1MPa
3	0.5MPa
5	0.9MPa

Power supply

0	DC24V
---	-------

Bracket

	No bracket
B	Flat bracket
C	L type bracket

Cable connector

S	Straight 3m
L	Right angle 3m
N	No cable

Connection thread and size

Blank	Rc	1	1/8(1 Type)
N	NPT	2	1/4(1,2,3 Type)
T	NPTF	3	3/8(2,3 Type)
F	G		

Input

0	Current : DC4-20mA
1	Current : DC0-20mA
2	Voltage : DC0-5V
3	Voltage : DC0-10V

Output

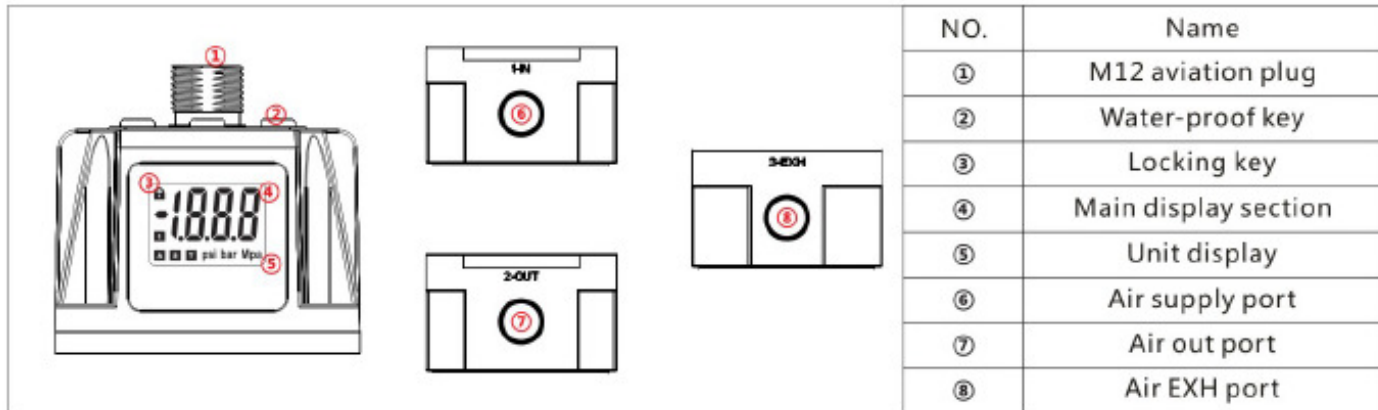
1	Analog : DC1-5V
2	Switch : NPN Output
3	Switch : PNP Output
4	Analog : DC4-20mA

Digital Communication

RS485 Communication

Note: customizable protocol

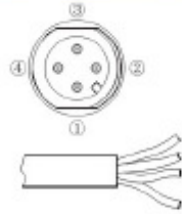
Panel



Specification

Model		EPV2-1	EPV2-3	EPV2-5
Min. supply pressure		Set pressure+0.1MPa		
Max. supply pressure		0.2MPa	1.0MPa	
Set pressure range		0.005~0.1MPa	0.005~0.5MPa	0.005~0.9MPa
Power supply	Voltage	DC : 24V 10%		
	Current	DC : 24V 0.12A MAX		
Input signal	Current type	DC4~20mA, DC0~20mA		
	Voltage type	DC0~5V, DC0~10V		
	Preset type	4 point		
Input Impedance	Current type	Below 250Ω		
	Voltage type	Approx 6.5KΩ		
	Preset type	Preset input type 24VDC approx 4.7K Ω		
Output Signal	Analog output	DC 1~5V (load impedance: over 1 KΩ) DC 4~20mA (load impedance: below 250Ω) Output precision within range the range of 6%F.S.		
	Switch output	NPN-OC output type : 30mA PNP-OC output type : 30mA		
Linear		1%F.S		
Hysteresis		0.5%F.S		
Repeatability		0.5%F.S		
Temperature Characteristic		2%F.S		
Display	Precision	2%F.S		
	Division	1000 division		
Ambient temperature		0~50℃		
Protection class		IP65		

Wiring



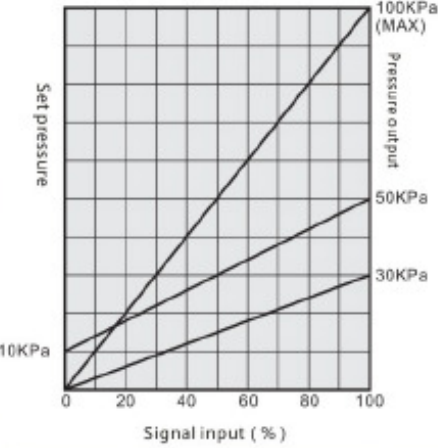
- ① Brown: VCC (POWER SUPPLY)
- ② White: input signal
- ③ Blue: 0 V (COMMON)
- ④ Black: output signal

Setting method

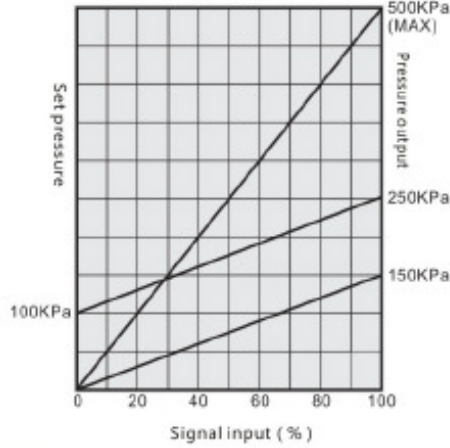


Pressure output Signal input

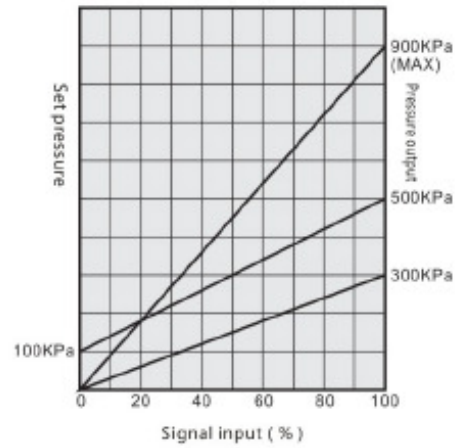
EPV*-1



EPV*-3

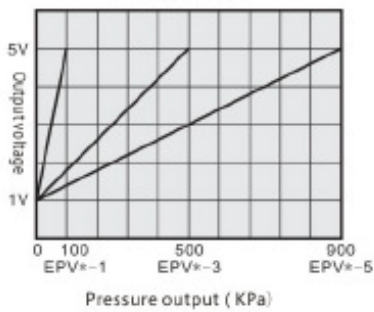


EPV*-5

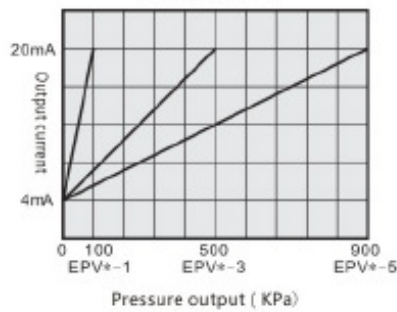


Pressure output Signal output

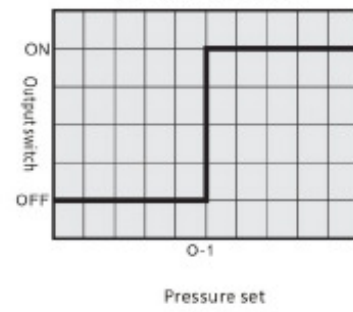
Analog voltage



Analog current

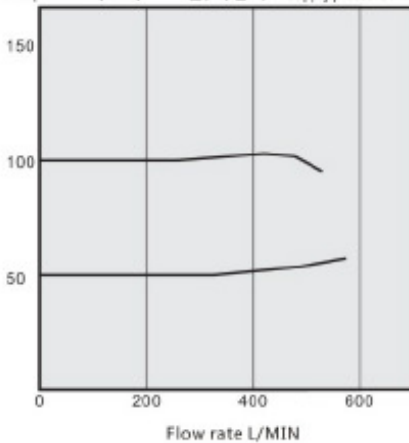


Open-collector output

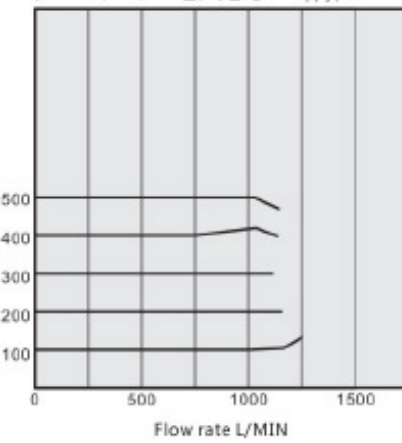


Flow rate characteristics

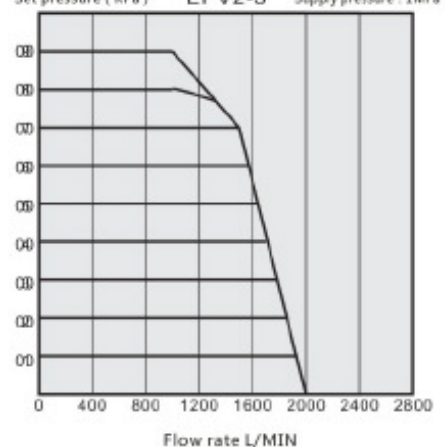
Set pressure (KPa) EPV2-1 Supply pressure : 0.2MPa

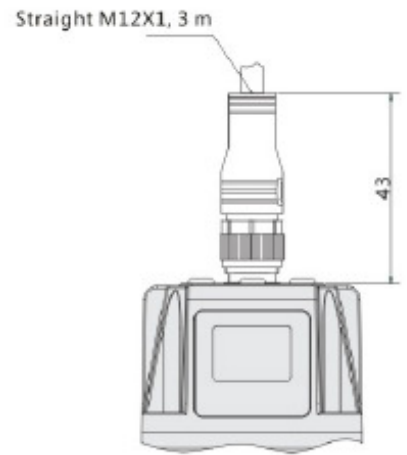
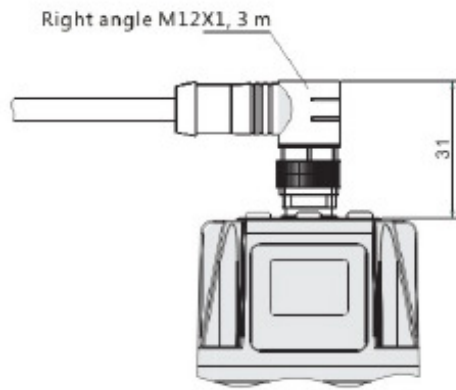
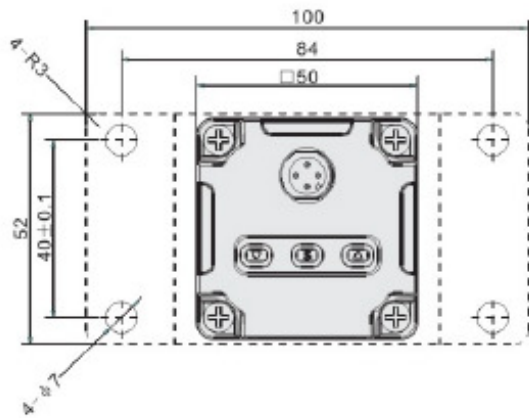


Set pressure (KPa) EPV2-3 Supply pressure : 0.7MPa

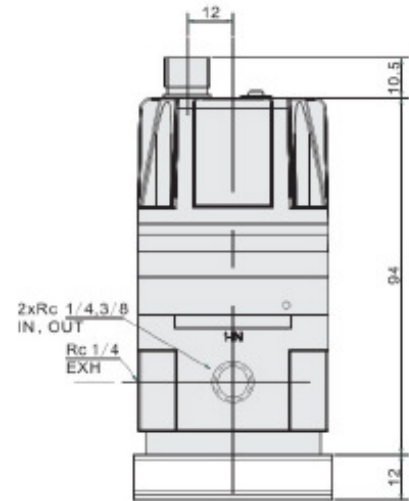
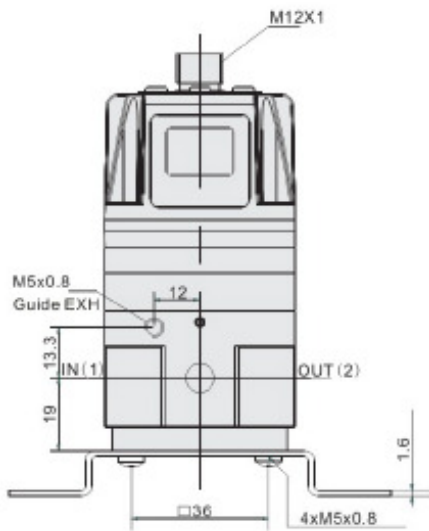


Set pressure (KPa) EPV2-5 Supply pressure : 1MPa





Flat bracket assembly



L bracket assembly

