

Media: air – water – liquid - vacuum
 Pressure range: 0 to 10 Bar max
 Media temperature: +2°C to +90°C max
 Ambient temperature: +2°C to +50°C
 Mounting: Any
 Cycles: 50,000
 Opening/Closing : 15 Seconds
 Duty cycles: 100%

Actuated UPVC Ball Valve

1/2" – 2"
FAILSAFE & STANDARD
 2 WAY
 0 – 10 Bar
TYPE ABVP04-20S



PRESSURE

Port BSP	Orifice mm	Operating Time Secs	Pressure (Bar) ΔP		Function	Voltage	Seal	Part Number
			Min	Max				
1/2	15	15	0	10	Failsafe Closed Power ON valve Opens Power OFF automatic valve Close <i>Requires initial 30 second power ON time thereafter minimum 10 seconds to recharge the reserve power.</i>	9v to 35v AC/DC	PE=EPDM PV=Viton	ABV04PE/9AR
						110v to 240vAC		ABV04PE/2AR
3/4	20	15	0	10		9v to 35v AC/DC		ABV06PE/9AR
						110v to 240vAC		ABV06PE/2AR
1	25	15	0	10		9v to 35v AC/DC		ABV08PE/9AR
						110v to 240vAC		ABV08PE/2AR
1 1/4	32	15	0	10		9v to 35v AC/DC		ABV12PE/9AR
						110v to 240vAC		ABV12PE/2AR
1 1/2	40	15	0	10		9v to 35v AC/DC		ABV14PE/9AR
						110v to 240vAC		ABV14PE/2AR
2	50	15	0	10	9v to 35v AC/DC	ABV20PE/9AR		
					110v to 240vAC	ABV20PE/2AR		

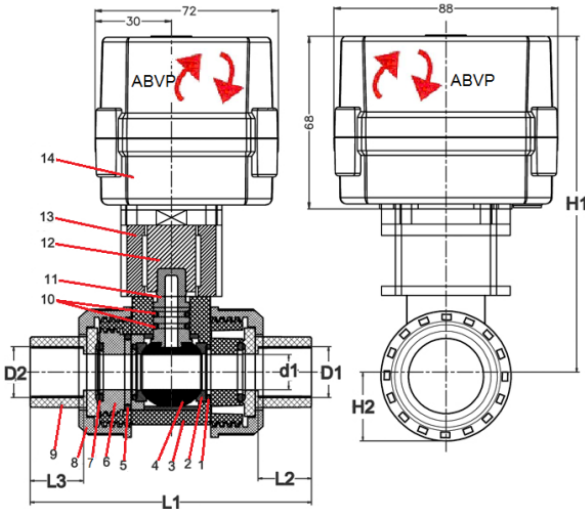
OPTIONS

Visual Position Indicator & E2 Volt free fully Open & fully Closed position feedback switches
 Failsafe Open (AR-NO)
 Viton valve sealing
 3 wire control

ELECTRICAL DATA

Duty	Position Feed Back Switch	Torque	Power	Enclosure	Electrical connections
Continuous duty 100% Open Close 15 seconds	Volt Free – No voltage is supplied from actuator Switch rating: 0 to 36vDC 0.4 Amp Max	10 Nm	22 Watt	IP67	2 lead wires 0.5 meter

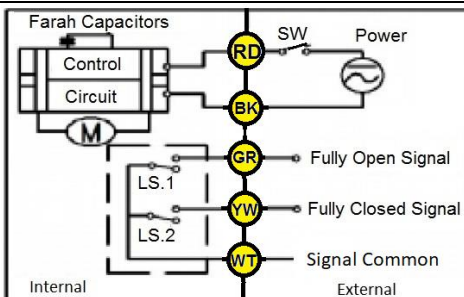
OVERALL DIMENSIONS



Port G	L1	L2/L3	H1	H2
1/2	104.8	22.3	130	27.5
3/4	113	25.5	134.5	32
1	127	28.6	146.3	37.5
1 1/4	142	32	156.8	42.8
1 1/2	157	35	163.6	50
2	174	36	163.6	50

1	O Ring	EPDM or Viton
2	Sealing	PTFE
3	Body	UPVC
4	Ball	UPVC
5	O Ring	EPDM or Viton
6	Bonnet	UPVC
7	O ring	EPDM or Viton
8	Gland	UPVC
9	Socket	UPVC
10	O Ring	EPDM or Viton
11	Stem	UPVC
12	Adaptor	304 Stainless
13	Adaptor	304 Stainless
14	Actuator	PPA6

Fail-safe – Automatic Return

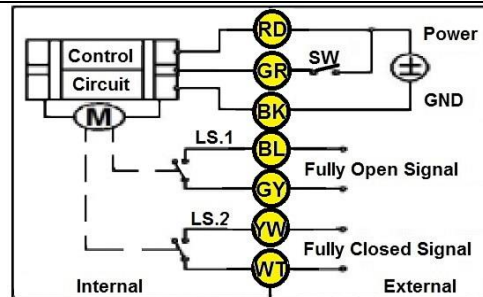


Power ON motor actuates valve into powered position and then automatically powers off. Valve stays in powered position.

Power OFF motor actuates valve back to start position using reserve power. Valve stays in start position.

Position Feed Back: Green Open, Yellow Closed, White Common

3 Wire Control



Power ON to GREEN motor actuates valve into powered position and then automatically powers off. Valve stays in powered position.

Power OFF to GREEN motor actuates valve back to start position and then automatically powers off. Valve stays in start position.

Position Feedback: Blue & Grey Open, Yellow & White Closed