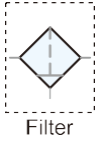


## Symbol



## Features

1. Remove water and particle effectively.
2. 40µm and 5µm filter element are easily interchangeable and replaceable.

## How to order

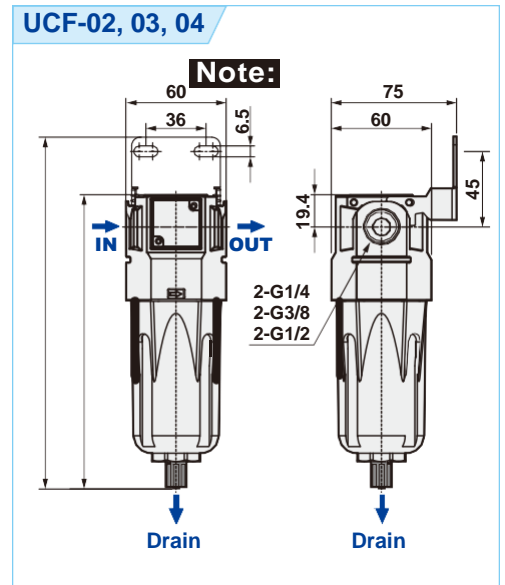
UCF - 02	N	C	H	A	
<b>Filter</b>	<b>Port size</b>	<b>Thread</b>	<b>Filtration</b>	<b>Drain</b>	<b>Bowl</b>
	02 : 1/4" 03 : 3/8" 04 : 1/2"	Blank: G N : NPT R : Rc	PE Blank: 5µm C : 40µm Sintered brass S : 5µm T : 40µm	Blank : Semi-auto drain H : Manual drain D : Auto drain	Blank: Standard bowl A : Anti-acid & alkali bowl AL : Aluminum bowl



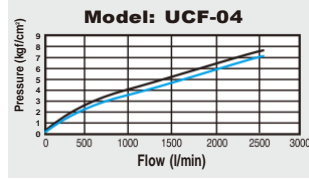
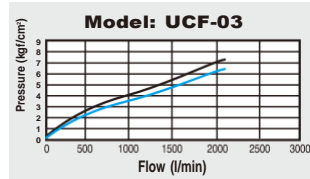
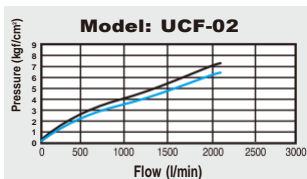
## Specifications

Model	UCF-02	UCF-03	UCF-04
Port size	1/4"	3/8"	1/2"
Fluid	Compressed air		
Body material	Aluminum die-cast		
Bowl material	Polycarbonate (Standard), Anti-acid & alkali bowl (Option), Aluminum bowl (Option)		
Filtration	PE: 5µm (Standard), 40µm (Option); Sintered brass (Option): 5µm, 40µm		
Operating pressure range	0.5 ~ 9.9 kgf/cm <sup>2</sup>		
Proof pressure (Standard bowl)	15 kgf/cm <sup>2</sup>		
Max. flow rate l/min (ANR)	2440	2450	3030
Ambient temperature	-10°C ~ 60°C		
Filter bowl capacity	105cc		
Standard drain	Semi-auto drain (Drains below 0.5kgf/cm <sup>2</sup> )		
Net weight	480g (W/I Aluminum bowl, 700g)		
Accessories	Mounting bracket set		

## Dimensions



## Flow chart



X axis: Flow (l/min)  
Y axis: Pressure (kgf/cm<sup>2</sup>)  
Blue line (P0) = Outlet pressure  
Black line (P1) = Inlet pressure  
P1-P0=Pressure range