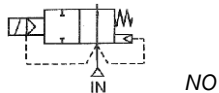


Media: steam - air - water - gas - light oil
 Pressure range: 0.5 to 10 Bar max
 Media temperature: 185°C max
 Ambient temperature: -10°C to +50°C max
 Media viscosity: 20 centistokes max
 Mounting: coil upright
 Suitable for high frequency applications



2/2 Stainless Steel

1/2 - 2

NORMALLY OPEN

2 WAY SERVO ASSIST

0.5 – 10 Bar

TYPE NOSUS



PRESSURE

Ø Port BSP	Ø Orifice (mm)	Flow Cv m³/hr	Pressure Rating (Bar) ΔP		Part Number
			Min	Max	
1/2	17	4	0.5	10	NOSUS15 + voltage
3/4	17	6	0.5	10	NOSUS20 + voltage
1	22	12	0.5	10	NOSUS25 + voltage
1 1/4	30	18	1	10	NOSUS35 + voltage
1 1/2	30	22	1	10	NOSUS40 + voltage
2	50	48	1	8	NOSUS50 + voltage

OPTIONS

IP65 & Connector PG9 – DIN 43650 A
 BSPT + NPT Threads

ELECTRICAL DATA

Voltage AC (+/-10%) DC (+/-1%) Continuous duty 100%		Coil	Power Consumption		Insulation class	Enclosure	Electrical connections
~	24 - 110 - 230 – 380 (50 or 60 Hz)		Inrush	Holding			
=	12 - 24 (DC)	M	40VA	24.2VA	H 180°C	IP65	3 spades DIN 43650A DIN 40050 VDE0110
			18 Watts				

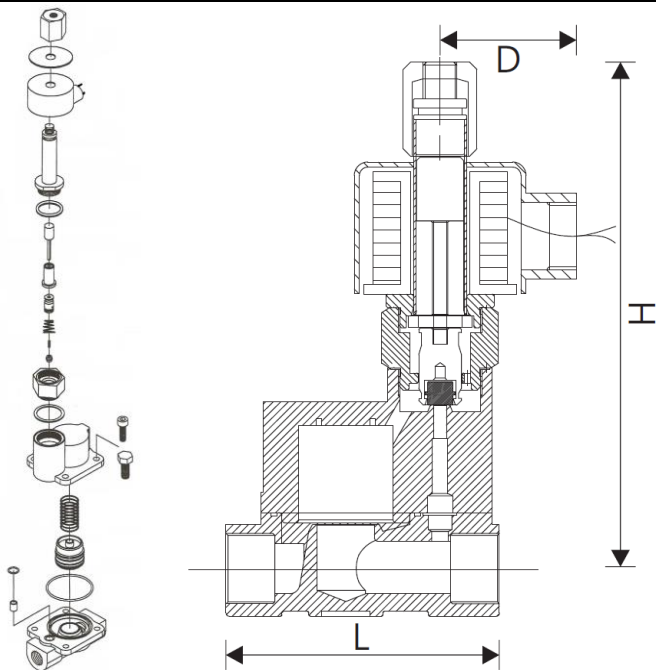
CONSTRUCTION

Body: Forged 316 stainless steel (CF8M)
 Tube 304 stainless steel, armature 430F stainless steel
 Shading ring: copper
 Seals and gaskets: PTFE
 Moulded coil: Resin

REPAIR KIT

Coil	WPA2 + voltage
Armature	SP + Valve Part Number -ARMATURE
Piston	SP + Valve Part Number -PISTON

OVERALL DIMENSIONS



Model	L	H	D	Kg
NOSUS15	84	147	48	1.52
NOSUS20	84	151	48	1.58
NOSUS25	98	162	48	2.0
NOSUS35	123	173	48	2.8
NOSUS40	123	175	48	2.9
NOSUS50	167	203	48	5.7