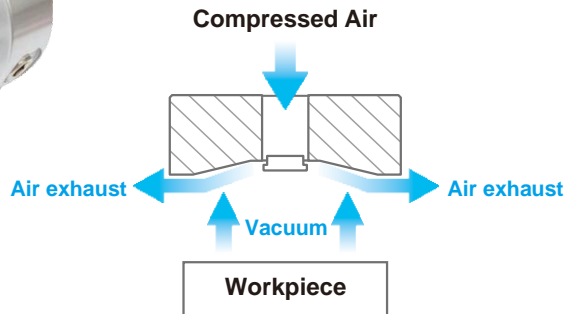


Features

1. Workpiece gripping by compressed air without vacuum.
2. Non-contact suction to avoid fingerprint on workpiece.
3. Gripping for the workpiece with uneven surface or through holes is available.



Function Diagram



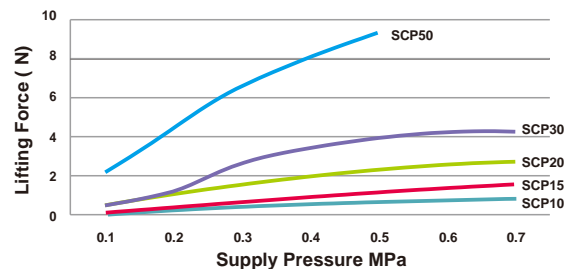
Industrial Application

- Solar energy industry such as chips transferring.
- Food industry such as cooked or fresh food carrying.
- Paper and Printing industry, Printed circuit board industry.
- IT such as Smart Phone, Lens and Wafers carrying and transferring.

How to order

SCP	-	10
Non contact suction pad		Body diameter
		10 : φ10
		15 : φ15
		20 : φ20
		30 : φ30
		50 : φ50

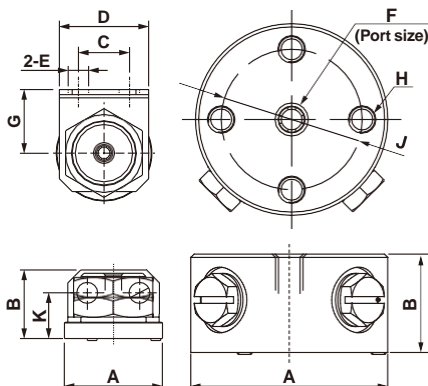
Lifting Force Graph



Specifications

Model	SCP-10	SCP-15	SCP-20	SCP-30	SCP-50
Port size	M3		M5		G1/8
Mounting hole	-		M3*3		M4*4
Plug	-		M5*1	M5*2	G1/8*2
Fluid	Compressed air				
Operating pressure range	0.1 ~ 0.7MPa				
Ambient temperature	-20°C ~ 60°C				
Body material	Aluminum alloy				

Dimensions



Model	A	B	C	D	E	F	G	H	J	K
SCP-10	φ10	10	10	14	φ2.2	M3	7	-	-	6.5
SCP-15	φ15	10.5	8	14	φ3.2	M3	10	-	-	7
SCP-20	φ20	15	-	-	-	M5	-	M3	φ15	-
SCP-30	φ30	15	-	-	-	M5	-	M4	φ22	-
SCP-50	φ50	17.2	-	-	-	G1/8	-	M4	φ40	-