

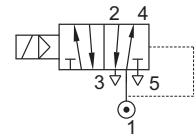
SERIES : 52S

5/2 INTERNAL PILOT OPERATED, INLINE SINGLE SOLENOID POPPET VALVE

TYPE	PRESSURE

TYPE	PRESSURE

TYPE	PRESSURE
51440	2 - 10 bar
51441	3 - 16 bar

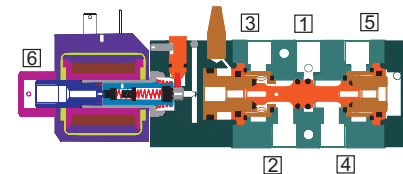


FEATURES

- Bubble tight shut off
- Mounts in any position
- Vibration resistance up to 9g
- Suitable for high speed cycling
- Speed up to 1200 cycles/ min
- Life >20 million cycles

WETTED PARTS

Code	※	B1	B2	B5
Body	Anodized Aluminium	Anodized Aluminium	Brass	SS 316
Internals	Aluminium, Brass and SS 316	SS 316	Brass and SS 316	SS 316
Guide Assembly	SS 304			
Shadow-Ring	Copper/ Silver/ None			
Plunger, Insert	SS 430			
Spring	SS 302			
Fasteners	SS 304			
Seat, Seals	NBR, Viton, F Silicon			



AMBIENT AND FLUID TEMPERATURE

-20 °C to 80 °C

SPECIAL VERSIONS AND SUFFIX

Suffix : (Valve) AM, WO
 Special versions : (Solenoid) CO, FR, SS, LC, III

MEDIA

Air, Inert Gases, Water, Oil

APPLICATION

Operation of double acting cylinder/ actuator

PORT CONNECTION

INLET	OUTLET	OUTLET	EXHAUST	EXHAUST	PILOT EXHAUST
1	2	4	3	5	6

- Contact Rotex for
- Any other ambient, fluid temperature, media and application
 - UL listed, Listed general purpose Valve
 - SIL4 approved valve



SPARES

(Refer page 25 for ordering code)

SPARE KIT	CODE
Seal Kit : Oring Set and Plunger Assembly	98
Repair Kit : Oring Set, Plunger Assembly, Fastener, Springs, Manual Override	99
Solenoid Kit : Solenoid, Gasket and Nut	34

APPROVAL

(★ applied for)

Approval	Nema 4X	IP67	Ex d IIC T4 or T5 or T6 IP66	Ex Ia IIC T6 IP67	DGMS	CCOE
		✓	✓	✓	✓	✓
CE		✓	✓	✓		
UL	✓		*			
			✓	✓		
			✓	✓		
			✓	✓		

5/2 INTERNAL PILOT OPERATED, INLINE SINGLE SOLENOID POPPET VALVE

SPECIFICATION

PORT CONNECTION			PRE-SURE bar		ORIFICE (mm)	FLOW FACTOR kv (LPM OF WATER @ 1 bar ΔP)	VALVE TYPE	PILOT PRESSURE	BODY MATERIAL AND INTERNALS				SEALS				MANUAL OVERRIDE		SOLENOID ENCLOSURE		SUFFIX		POWER VA		CONSTRUCTION REFERENCE NUMBER		
SIZE	BSP(F)	NPT(F)	MINIMUM	MAXIMUM					ALUMINIUM	ALUMINIUM + SS	BRASS (STD PORT NPT)	SS 316/CF8M (STD. PORT NPT)	NBR	Viton	EPDM	HYTREL	F SILICON	NIL	STAYPUT CUM MOMENTARY	FLYING LEAD	PLUG IN, IP67	SQ. PLUG IN, IP67	TERMINAL BOX IP67	Ex d IIC, T4 OR T6, IP67		LARGE ENCLOSURE	SOLENOID SIZE

5/2 SINGLE SOLENOID

1/4"	2G	2R	2	10	6	14	51440A	×	B2	B5	×	S2	S19	M0	×	M8	F	22	25	T	E	III	14	✓	18	12	8	528	
			2	16	6	14	51441	×	B2	B5	×	S2	S19	M0	×	M8	F	22	25	T	E	III	14	✓	18	12	8	528	
1/2"	4G	4R	2	10	12	50	51440	×	B2	B5	×	S2		M0	×	M8	F	22	25	T	E	III	14	✓	18	12	8	529	
			2	16	12	50	51441	×	B2	B5	×	S2		M0	×	M8	F	22	25	T	E	III	14	✓	18	12	8	529	
1"	8G	8R	2	10	25	100	51440	×		B5	×	S2		M0	×	M8	F	22	25	T	E	III	14	✓	18	12	8	530	
			2	16	25	100	51441					×	S2		M0	×	M8	F	22	25	T	E	III	14	✓	18	12	8	530
			2	10	25	100	51440V01		B2F	×	S2				M0	×		F	22	25	T	E	III	14	✓	18	12	8	530A
1 1/2"	12G	12R	2	10	25	410	51440V01			B12	×	S2		M0	×	M8	F	22	25	T	E	III	14	✓	18	12	8	530A	

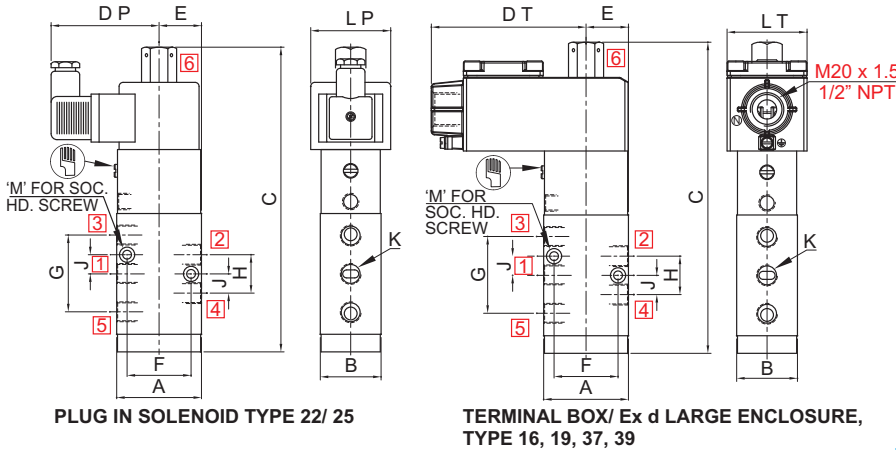
Cable Entry	T	E		F	×	Do not specify when opted for
M20 x 1.5	19	39	Flying lead IP54	×	✓	Options available
1/2" NPT	16	37	Flying lead IP67	01		

ORDERING CODE AND EXAMPLE VALVE + SOLENOID

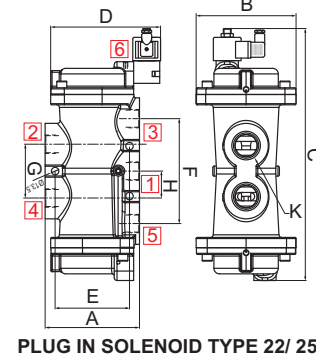
TYPE - SUFFIX - ORIFICE - PORT CONNECTION - BODY AND INTERNALS - MANUAL OVERRIDE - SEAL + SIZE - VOLTAGE - CURRENT - SOLENOID ENCLOSURE - APPROVAL - INSULATION - SPECIAL VERSION
 e.g. 51440-12-4G-MO+24V DC-19-III

DIMENSIONS

All Dimensions are in mm

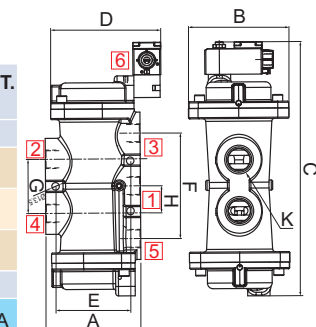


CONSTRUCTION REFERENCE 530A



PLUG IN SOLENOID TYPE 22/ 25

CONSTRUCTION REFERENCE 530A



TERMINAL BOX/ Ex d LARGE ENCLOSURE, TYPE 16, 19, 37, 39

K (PORT SIZE)	A	B	C	DP	DT	E	F	G	H	J	L	LP		LT		M	CONST. REF.
												I	III	I	III		
VALVE TYPE : 51440, 51441																	
1/4"	53	38	195	66	97	27	40	48	24	12	Ø50	36	Ø50	41	50	M6	528
1/2"	75	45	235	66	97	38	50	72	36	18	Ø50	36	Ø50	41	50	M6	529
1"	110	65	285	66	97	55	80	112	56	28	Ø50	36	Ø50	41	50	M8	530
VALVE TYPE : 51440V01-40																	
1"	110	95	298	66	97	112	80	54	27	48	Ø50	36	Ø50	41	50	M8	530A
1 1/2"	170	180	455	66	97	184	134	92	47	48	Ø50	36	Ø50	41	50	M8	530A