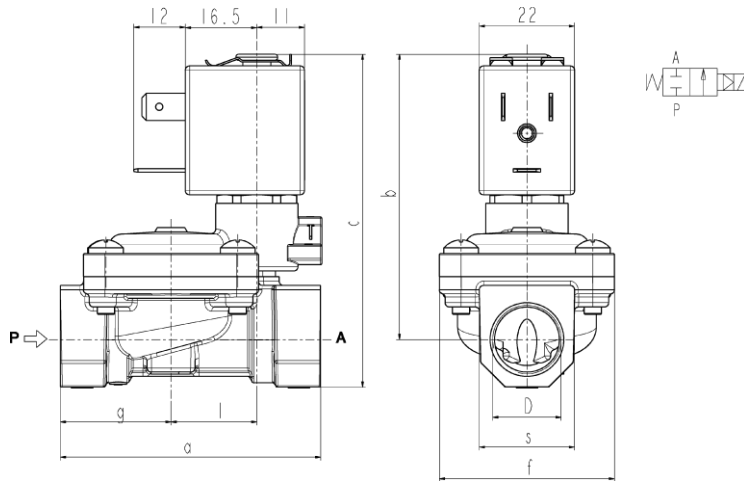




SOLENOID VALVE WORLD
2/2- NC (Normally closed)
 Pilot operated
G 3/8 ÷ G 1

L182



D	a	b	c	f	g	l	s
G 3/8	60	66	77	40	25.5	20	22
G 1/2	66	68	82	40	29	20	27
G 3/4	79	72.5	89	50	35.5	24.5	33
G 1	105	85	106	71	46	28	42

► GENERAL FEATURES

Diaphragm valve, pilot operated, having full orifice.
 Suitable to shut off liquid and gaseous fluids (verify the compatibility of fluid with material in contact).

► TECHNICAL FEATURES

Maximum allowable pressure (PS) 20bar

Response times

Opening time (ms)

Closing time (ms)

Fluid temperature

Max viscosity

3/8	1/2	3/4	1
70	70	70	90
670	600	500	420

-10°C +90°C (NBR)
 0°C +130°C (FPM)
 -10°C +140°C (EPDM)
 5°E (~37 cStokes or mm²/s)

► MATERIALS IN CONTACT WITH FLUID

Body Brass
 Sealing NBR or FPM or EPDM
 Internal components Brass and stainless steel
 Seat Brass
 Core tube Stainless steel
 Shading coil Copper

► COIL

Approval
 Encapsulation material

Insulation class
 Ambient temperature

Continuous duty
 Electric connection

Protection degree

Voltages DC
 AC

ZB10A	ZB12A *	ZB14A *
/	UL and CSA	UL and CSA
PA fiberglass reinforced	PET fiberglass reinforced	PET fiberglass reinforced
F (155°C) -10°C +60°C	F (155°C) -10°C +60°C	H (180°C) -10°C +75°C
ED 100%		
DIN 46340 - 3 poles plug connector		
IP 65 (EN 60529) with plug connector	IP 67 (EN 60529) with plug connector	IP 67 (EN 60529) with plug connector
12-24V (+10% -5%)		
24V/50-60Hz - 115V/50Hz - 230V/50-60Hz (+10% -15%)		

(Other voltages and frequencies on request).

*** On request**

Approval
 Voltages AC

/	ZB12Y	ZB14Y
/	UL	UL
/	220-230V/50Hz 208-240V/60Hz (+10% -15%)	

Port size ISO 228	Orifice size (mm)	Differential pressure (bar)				Kv (m ³ /h)	Series and type			Power absorption				Sealings	Notes	Weight (kg)		
		Δp min	Δp max				Valve	Valve with manual override	Coil	AC (VA)			DC					
			Gases		Liquids					Inrush VA	Holding VA	W					W	
			AC	DC	AC													DC
3/8	13,5	0,35	16	16	16	16	L182(*)01	L182(*)02	ZB10A ZB12A	12	6	4	5,5	(*) = B (NBR) (*) = V (FPM) (*) = D (EPDM)	1-3	0,32		
1/2			16	16	16	16										0,38		
3/4	12		12	12	12	2-3										0,52		
1	12		12	12	12											1,08		

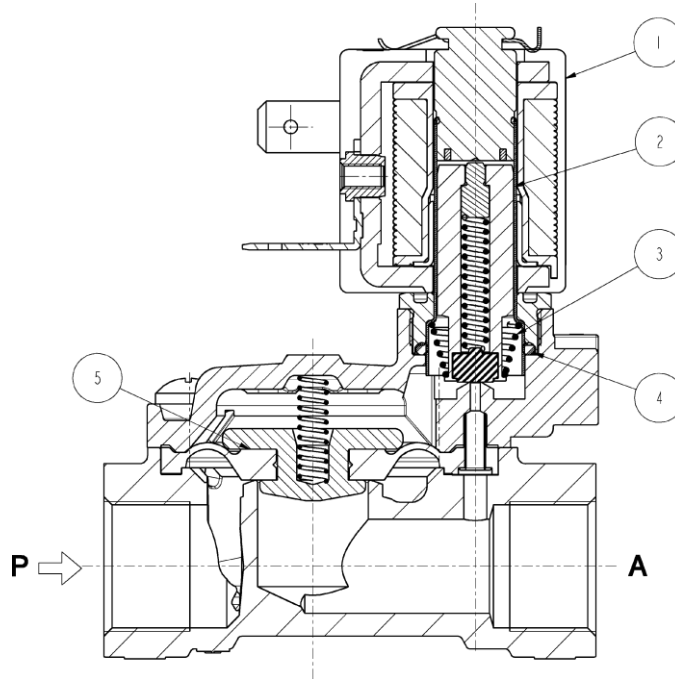
► NOTES

- Sealings: B(NBR)=Nitrile-butylene elastomer V(FPM)=Fluoro-carbon elastomer D(EPDM)=Ethylene-propylene elastomer (WRAS/KTW certified compound)
- Operation with gaseous media, at high pressure without any outlet restriction, can reduce the diaphragm life.
- On request coil in class H (ZB14A – see § "COIL")
- The bracketed values of Δp max are related to valves with V(FPM) seals.
- 1 - Low power consumption coil on request (3,5 VA in AC – 3W in DC): Δp max = 12 bar
- 2 - Low power consumption coil on request (3,5 VA in AC – 3W in DC): Δp max = 8 bar
- 3 - L182D01 – L182D02: WRAS certified solenoid valves (certificate n. 1411048).

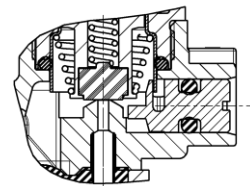
L182

► SPARE PARTS

L182 B-V-D01



L182 B-V-D02



Kit description

Kit P.N.

Consisting of:

Core kit	L182B-V		G3138201	Core kit pos.2 Core return spring pos. 3 O-Ring guide assembly pos. 4	
	L182D		G3138202		
Diaphragm assembly	L182B	3/8-1/2	2844302R	Diaphragm assembly pos.5	
	L182V	3/8-1/2	2844303R		
	L182D	3/8-1/2	2844306R		
	L182B	3/4	1		2299701R
			1		2380101R
	L182V	3/4	1		2299702R
			1		2380102R
	L182D	3/4	1		2299708R
			1		2380106R
Coil			ZB10	Coil pos.1	
			ZB12		
			ZB14		

► INSTALLATION

- Solenoid valve can be mounted in any position, vertical with coil upwards preferred.

THE VALIDITY OF REPORTED DATA IS REFERRED TO THE DATE OF ISSUE. POSSIBLE UPDATES ARE AVAILABLE ON REQUEST