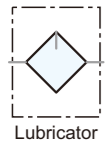


## Symbol



## Features

1. For high pressure use, corrosion and chemical resistance.
2. Good performance in chemically working environments and outdoor facility.
3. Suitable for semi-conductor industry.
4. Lubricator oil can be replenished without stopping air supply.
5. Oil spray in mist ensures good lubrication for machines.
6. Light weight, compact size for space saving.



\*Lubricator oil (Recommended): ISO-VG32

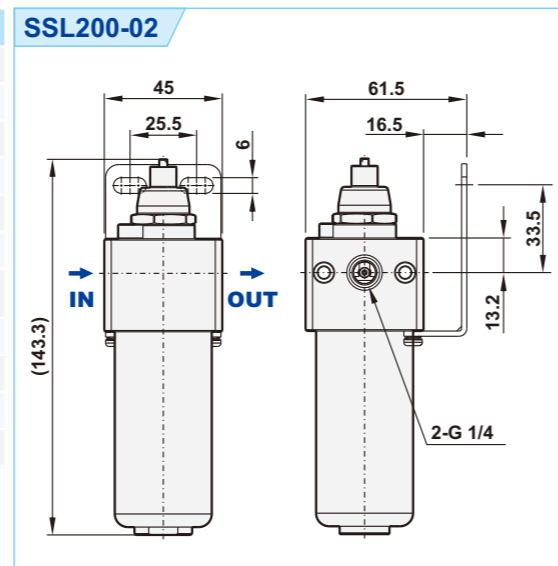
## How to order

SSL200	—	02	N
Stainless Steel SUS316 Miniature		Port size	Thread
Miniature Lubricator		02 : 1/4"	Blank :G N :NPT R :Rc

## Specifications

Model	SSL200
Port size	1/4"
Fluid	Compressed air
Body material	Stainless steel SUS316
Bowl material	Stainless steel SUS316
Operating pressure range	0 ~ 20 kgf/cm <sup>2</sup>
Proof pressure	20 kgf/cm <sup>2</sup>
Max. flow rate	2500 l/min
Ambient temperature	-10°C ~ 60°C
Lubricator bowl capacity	125cc
Net weight	1200g
Accessories	Mounting bracket set

## Dimensions



# Memo...

