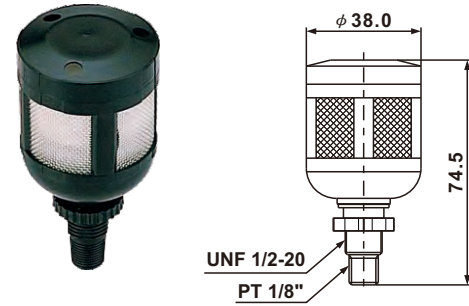


Automatic drain

Features

1. Completely drain water together with polluted particles and oils at once without remnants on filter bowl.
2. Automatically remove remaining water on filter bowl after air pressure is shut off.
3. Working pressure: 0.5~9.9kgf/cm²
Proof pressure: 15kgf/cm²
Ambient temperature: -5~+60(No freezing)

Part no.	Thread	Color
D0014W	14mm (Male thread)	Black

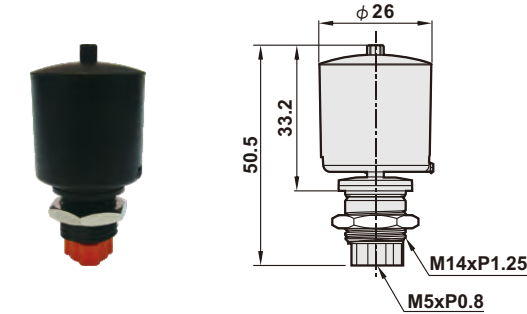


Miniature Automatic drain

Features

1. Working pressure: 0.8 ~ 10 kgf/cm²
 2. Leverage design and electrical power free, shorter and smaller than competitors' products.
 3. Discharge capacity: 3~5cc/time.
- *Suitable for: For Miniature A series

Part no.	Thread	Color
AD-01	M5xP0.8	Black+Orange



Connecting seat

Part no.	Application	Content
ZGFR-500A-03	FRL600A, FRL700A, FR500A, F200A	Seat with O-ring

**Remark: Auto Drain demand for Mini type Model A only.



Spacer block

Part no.	Application	Content
ZGUFR02SB	UFR/L-02, 03, 04	Block, O-ring, Screw, Washer, Plug
ZGUFR06SB	UFR/L-06, 08	Block, O-ring, Screw, Washer, Plug
ZGUCFR03SB	UCFR series	Spacer Block, O-ring, Screw, Plug



Closed block

Part no.	Application	Content
ZGUCFR03CB	UCFRL-02, 03, 04	Closed block, O-ring, Screw



Mounting bracket

ZGUCFR/L-03MAB UCFRL, UCFR/L	ZGUCFR-03MB UCFR, UCF, UCL	ZGURP-02MB URP series
ZGFRL600CMB FRL600C, FRL700C	ZGFR500CMB FR500C, F200C, L200C	ZGR200MB R200, NR200
ZGUFR/L-06MB U series (3/4", 1")	ZGUFR/L-02MB U series (1/4", 3/8", 1/2")	ZGUSFRC-08MB Stainless steel FRL series (3/4", 1")
ZGFR500AMB Miniature A series	ZGUSFR/L-04MSB Stainless steel FRL series (1/4", 3/8", 1/2")	ZGSSFR500MB, ZGFR500MB Miniature stainless steel FRL series