

PREMIER QUALITY
GLOBAL REPUTATION

DIGITAL PRESSURE SWITCH DPS Series

Ultra-low power
consumption

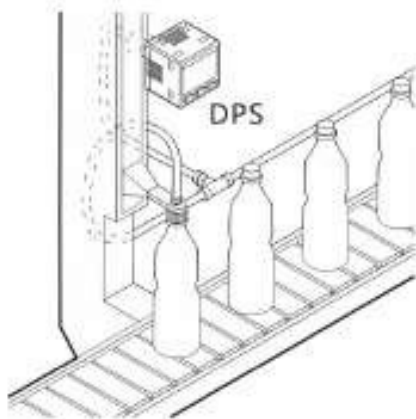
High performance
LCD display



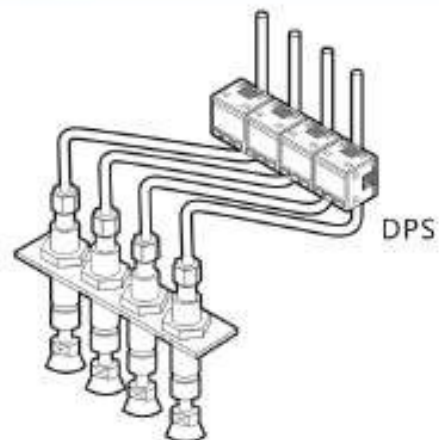
Multiple measurement
unit for option

Use high quality
imported parts

Positive Pressure Application



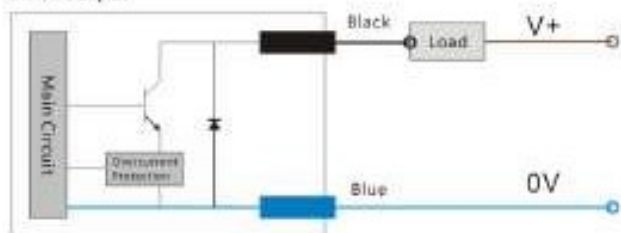
Vacuum Application



DIGITAL PRESSURE SWITCH

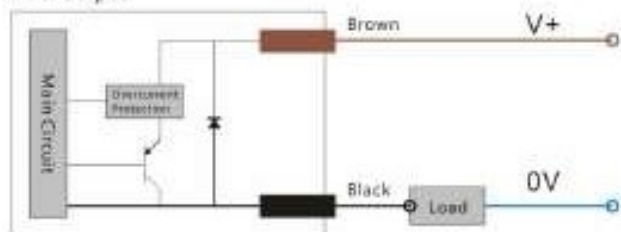
DPS Series

NPN output



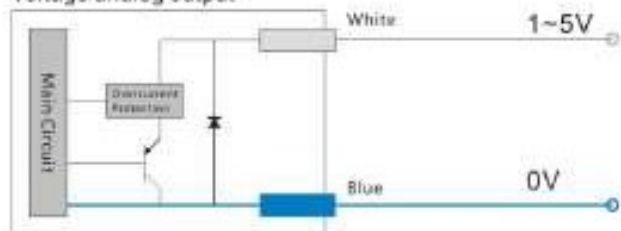
NPN OC circuit:
 Low level output When The Switch is On:
 High resistance when the switch is off:

PNP output



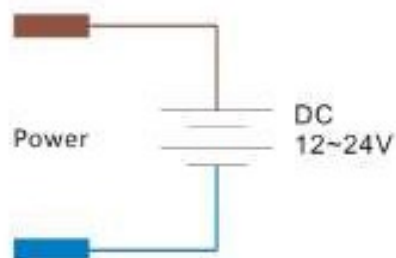
PNP OC circuit:
 High level output when the switch is on
 High resistance when the switch is off:

Voltage analog output

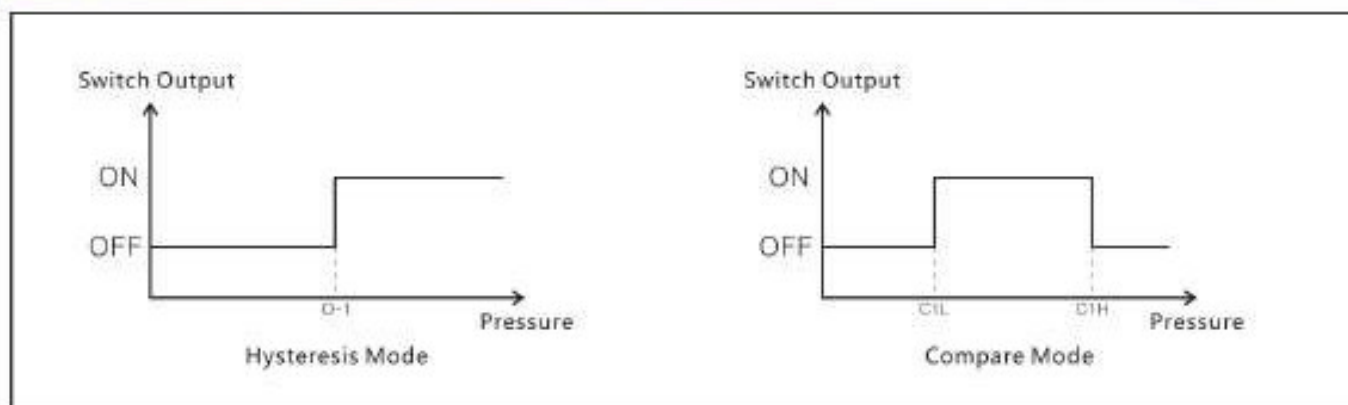


Analog voltage output
 Full scale proportional output
 Reference level 0V

- Brown: VCC (POWER SUPPLY)
- Black: output 1
- White: output 2/analog output
- Orange: special function
- Blue: VSS (COMMON)



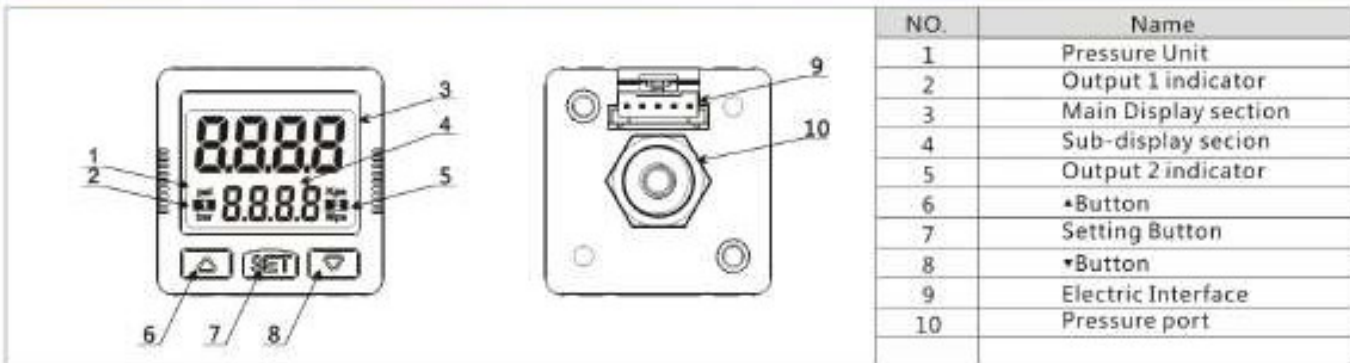
Output function diagram



DIGITAL PRESSURE SWITCH

DPS-2 Series

Panel



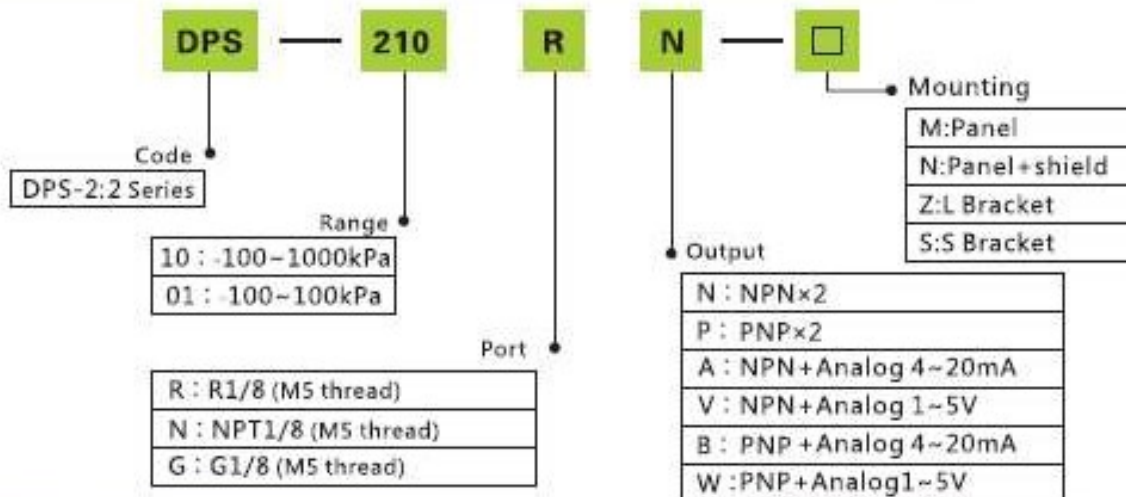
Specification

Model		DPS-201 Compound	DPS-210 Positive
Pressure Measure	Range of measure	-100kPa~100kPa	-0.100MPa~1.000MPa
	Setting range	-100kPa~100kPa	0.000MPa~1.000MPa
	Withstand pressure	500kPa	1.500MPa
	Pressure type	Non-flammable, non-corrosive gas, gauge pressure measurement	
	Measure accuracy	±2%F.S. (Ambient temperature 25°C)	
	Temperature error	±3%F.S. (Temperature range 0~50°C)	
	Measure pattern	Hysteresis mode Compare mode of upper and lower bounds	
Port size		External R1/8, NPT1/8, G1/8 option, internal thread M5	
Display	Brief description	Double LCD display	
	Status display	4-digital measurement value, unit display, output status display	
	Display model	Adjustable backlight, 4 groups of display models	
Input power	Voltage range	12 ~ 24VDC ±10%	
	Power consumption	40mA Max (non-load)	
Output signal	Transistor output	NPN open-collector output Output current: 80mA MAX Voltage drop: ≤1V	PNP open-collector output Output current: 80mA MAX Voltage drop: ≤1V
		Analog output	Voltage output Signal amplitude: 1~5V Load resistance: ≥1KΩ
	Response time	Adjustable: 2.5ms, 20ms, 100ms, 500ms, 1000ms, 2000ms	
	Short-circuit protection	Yes	
Environmental resistance	IP level	IP40	
	Ambient temperature	Operating temperature 0~50°C, storage temperature -20~60°C	
	Ambient humidity	Operating humidity 35~80%RH	
	Insulation voltage	1000VAC 1min	
	Insulation resistance	≥50MΩ(500VDC)	
	Shock vibration	Max 100m/s ² , 3 times each in 6 directions of X, Y and Z Amplitude 1.5mm, 10HZ~500HZ, 2 hours each direction of X, Y and Z	

DIGITAL PRESSURE SWITCH

DPS-2 Series

Ordering code



Quick setting

● Zero point setting



In the measure mode, press + button at the same time, until display "0", release the button;
PS: reset range: +/-10%F.S.

● Key lock and unlock



Lock: in the measure mode, press + + button at the same time until "LOCK ON" shown, release the buttons;
Unlock: in the measure mode, press + + button at the same time until "LOCK OFF" shown, release the buttons.

● Easy setting function

