



# 2/2-way solenoid valve of forged brass body for general application

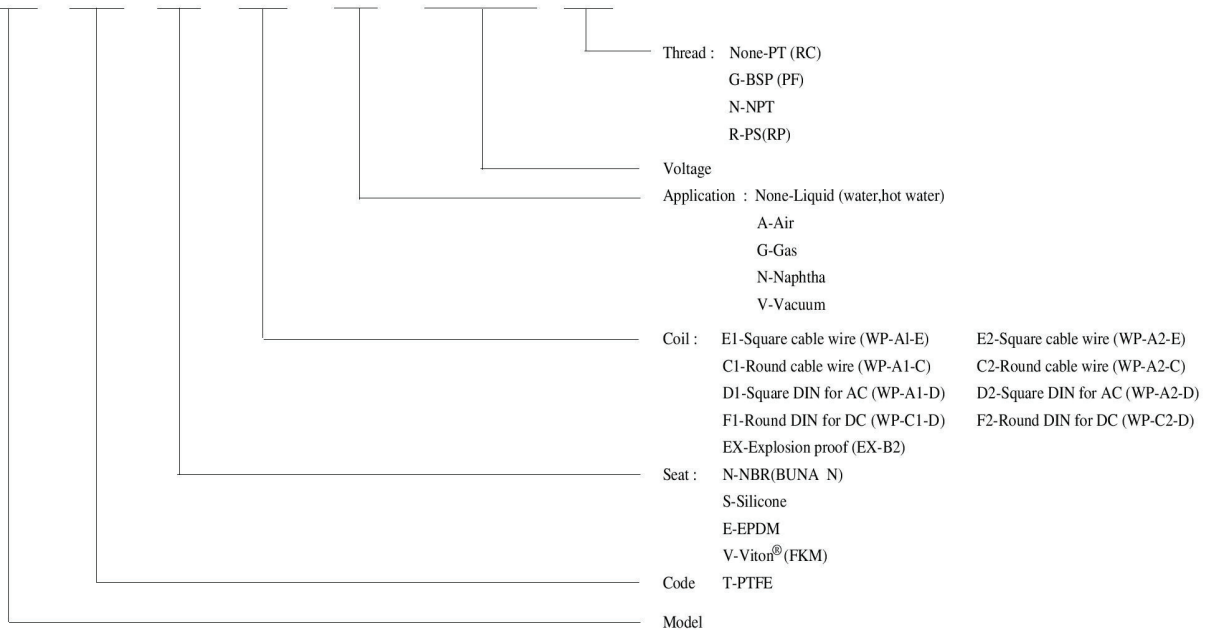


## Direct-operated Type

Model	Port size	Orifice (mm)	CV value	Fluid temp. (°C)	Seat disc	Differential pressure kg/cm <sup>2</sup> (bar)					Wt. (kg)	
						Liquid	Air	Gas	Naphtha (120°C)	Vacuum		
AD - 6A	1/8 "	3	0.26	-10	NBR	0-10	0-10	0-10	0-7	0-10 <sup>-6</sup> torr	0.49	
AD - 6B	1/8 "	4	0.58			0-7	0-7	0-7	0-5	0-10 <sup>-6</sup> torr	0.49	
AD - 6C	1/8 "	5	0.64			0-5	0-5	0-5	0-3	0-10 <sup>-6</sup> torr	0.49	
AD - 8A	1/4 "	3	0.26	f	Silicone	0-10	0-10	0-10	0-7	0-10 <sup>-6</sup> torr	0.47	
AD - 8B	1/4 "	4	0.58			0-7	0-7	0-7	0-5	0-10 <sup>-6</sup> torr	0.47	
AD - 8C	1/4 "	5	0.64			0-5	0-5	0-5	0-3	0-10 <sup>-6</sup> torr	0.47	
AD - 10A	3/8 "	4	0.58	80 (120)	EPDM	0-10	0-10	0-10	0-7	0-10 <sup>-6</sup> torr	0.73	
AD - 10B	3/8 "	6	0.79			Viton®	0-5	0-5	0-5	0-3	0-10 <sup>-6</sup> torr	0.73
AD - 10C	3/8 "	8	0.97				0-2	0-2	0-2	0-1	0-10 <sup>-6</sup> torr	0.73
AD - 12A	1/2 "	6	0.79	PTFE	0-5	0-5	0-5	0-3	0-10 <sup>-6</sup> torr	0.78		
AD - 12B	1/2 "	8	0.97		0-2	0-2	0-2	0-1	0-10 <sup>-6</sup> torr	0.78		

## How to order

AD - 6A - V - E1 - V - 220VAC - G



### Notes:

1. Direct-acting valves are ideally suited to allocate at any angle.
2. Voltage drop range is within ±10%.
3. Pressure of voltage DC is 70% of voltage AC only.
4. Max. temperature is up to 120°C.
5. Selection of coil refer to page 136~139.
6. PTFE seat is custom-made.

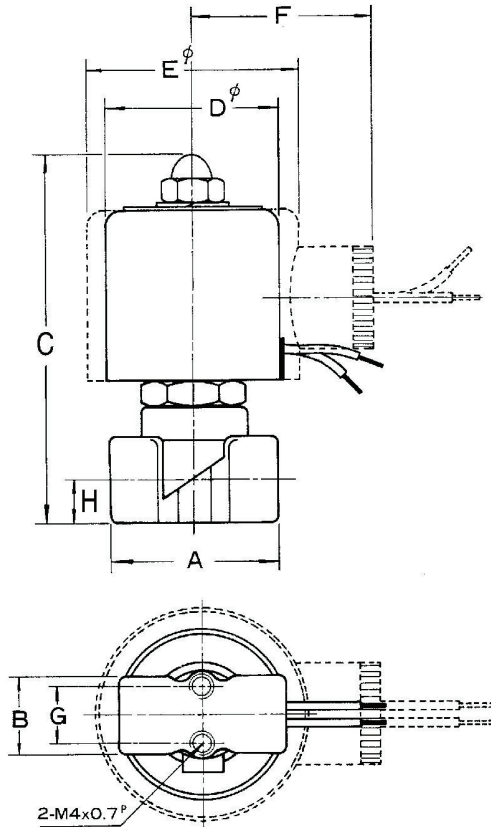
### Inapplicable Fluids:

1. Fluids that have kinematic viscosity over 50 CST.
2. Fluids that will turn to liquid after being heated and become solid after being cooled.
3. Corrosive fluids.

# AD

## 2/2-way solenoid valve of forged brass body for general application

### ● AD-6A~12B Contour Specification Chart



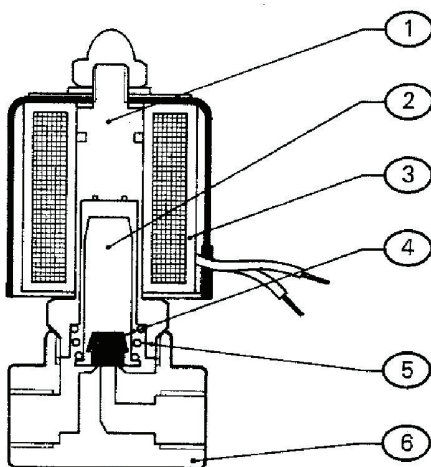
### ● Specifications

Unit:mm

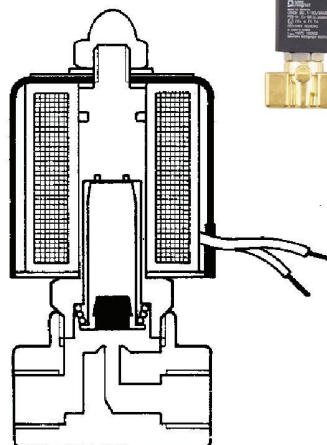
Item	A	B	C	D	E	F	G	H	Coil Model
Model AD-6A~8C	41	19	89	41.5	--	22	15	10.5	WP-A1-C
	41	19	85	53	--	63	15	10.5	WP-A1-D*
	41	19	85	58	--	33	15	10.5	WP-A1-E
	41	19	86	56	--	64	15	10.5	WP-C1-D*
AD-10A~10C	50	25	93	--	53	47	15	11.7	WP-A2-C
	50	25	90	--	58	65	15	11.7	WP-A2-D*
	50	25	90	--	63	40	15	11.7	WP-A2-E
	50	25	90	--	68	70	15	11.7	WP-C2-D*
AD-12A~12B	55	27	91	--	53	47	--	13	WP-A2-C
	55	27	91	--	58	65	--	13	WP-C2-D*
	55	27	91	--	63	40	--	13	WP-A2-E
	55	27	91	--	68	70	--	13	WP-A2-D*

\* with connector

### ● AD-6A~12B Operation Chart



Direction of Flow  
when power is off



Direction of Flow  
when power is on



### ● Material Table

Item	Article	Material
1	Solenoid Tube	Stainless Steel
2	Armature Core	Stainless Steel
3	Coil	Brass Wire
4	Seat	NBR,Silicone, EPDM,Viton®
5	Spring	Stainless Steel
6	Valve Body	Forged Brass