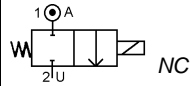


Media: aggressive gases & fluids
 Pressure range: 0 to 2 Bar max
 Media temperature: +5°C to 50°C
 Ambient temperature: +5° to +50°C
 Media viscosity: 40 centistokes max
 Mounting: coil upright



2/2 PVC PP PTFE

16,20, 25mm Socket, 3/8 + 1/2 BSP
 NORMALLY CLOSED
 2 WAY DIRECT ACTING
 0 – 2 Bar
 TYPE 150AP



PRESSURE

	Ø Port	Body	Orifice mm	Flow	Pressure Rating (Bar) ΔP		Seals	Part Number
				Kv Ltr/Min	Min	Max		
KM Cement Socket	16mm	PVC	10	20.7	0	2	EPDM=E FKM=F PTFE=T	150A10P1KM + seal + voltage
	20mm		15	29.7	0	1		150A15P1KM + seal + voltage
	25mm		20	53.0	0	0.5		150A20P1KM + seal + voltage
SM Weld Socket	16mm	PP	10	20.7	0	2		150A10P2KM + seal + voltage
	20mm		15	29.7	0	1		150A15P2KM + seal + voltage
	25mm		20	53.0	0	0.5		150A20P2KM + seal + voltage
3/8BSP	3/8	PTFE	10	20.7	0	2	150A10P4G38 + seal + voltage	
1/2BSP	1/2		15	29.7	0	1	150A10P4G12 + seal + voltage	

OPTIONS

IP65 Coil & Connector PG9 – DIN 43650 A ATEX coil II 2G Ex M II T4; II 3D IP65 T130 °C Viton Seals PTFE seals Other voltages	Included
--	-----------------

ELECTRICAL DATA

Voltage (-10% + 5%) Continuous duty 100%		Coil	Power Consumption	Insulation class	Enclosure	Electrical connections
~	230 (50/60 Hz) Rectified	150	8.5 Watts	F 155°C	IP65 with connector	3 spades DIN 43650A DIN40050 VDE0110
=	24 (DC)		7.5 Watts			

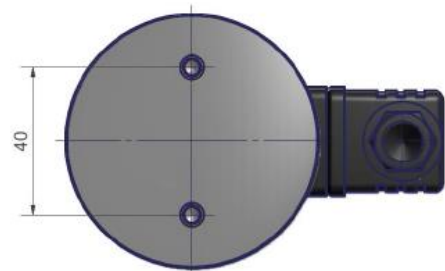
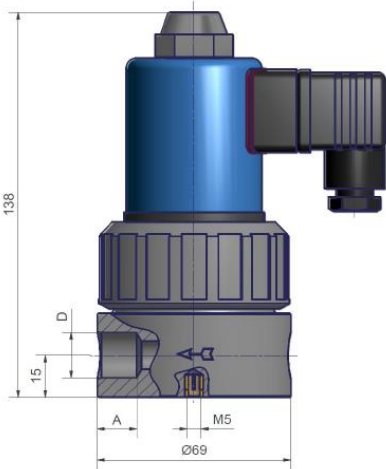
CONSTRUCTION

Body: PVC, Polypropylene or PTFE
 Internal parts: PVC, Polypropylene or PTFE with PTFE bellows
 Moulded coil: Resin

REPAIR KIT

Diaphragm	SP + Valve Part Number -DIAPHRAGM
Coil	150 + voltage
Complete plunger + O' rings	SP + Valve Part Number -ARMATURE

OVERALL DIMENSIONS



DN	D (mm)		A (mm)	
	PVC/PP	PTFE	PVC/PP	PTFE
10	16	G3/8	14	13
15	20	G1/2	16	13
20	25	-	13	-