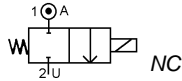


Media: air – water – gas – light oil - vacuum
 Pressure range: 0 to 40 Bar max
 Media temperature: +185°C max
 Ambient temperature: -10°C to +50°C max
 Media viscosity: 40 centistokes max
 Mounting: any position
 Weight (including coil) 510 g
 Open: 15-20 Close: 30 – 40 mSec Max



2/2 Stainless

1/4 - 3/8

NORMALLY CLOSED

2 WAY DIRECT ACTING

0 – 40 Bar

TYPE SC



PRESSURE

| Ø Port BSP | Ø Orifice (mm) | Flow Kv Ltr/Min | Pressure Rating (Bar) | | | | Seals | Part Number (Replace xx with port size) | |
|------------|----------------|-----------------|-----------------------|----------------|------------------|-------------------|-------|---|-------------------------|
| | | | Min | 15 Watt Coil 4 | | ATEX Coil 22003EX | | | |
| | | | | Max AC | Max DC | Max AC | | | Max DC |
| 1/4 (SC08) | 1.6 | 1.7 | 0 | 30 | 20 | 20 | 14 | NBR +80C EPDM, FKM PTFE, Ruby -20 to +145°C | SCxx14 + seal + voltage |
| | 2.0 | 2.5 | 0 | 20 | 14 | 14 | 10 | | SCxx24 + seal + voltage |
| | 2.5 | 3.3 | 0 | 14 | 10 | 10 | 7 | | SCxx34 + seal + voltage |
| | 3.0 | 5.0 | 0 | 10 | 7 | 7 | 5 | | SCxx44 + seal + voltage |
| | 4.0 | 9.0 | 0 | 7 | 4 | 5 | 4 | | SCxx54 + seal + voltage |
| 3/8 (SC10) | 5.0 | 13 | 0 | 5 | 3 | 4 | 3 | | SCxx64 + seal + voltage |
| | 6.0 | 15.8 | 0 | 4 | 2 | 3 | 2 | | SCxx74 + seal + voltage |
| | 7.5 | 18.3 | 0 | 3 | 1 | 2 | 1 | | SCxx84 + seal + voltage |
| | 10.0 | 21.7 | 0 | 1 | 0.5 | 1 | 0.5 | | SCxx94 + seal + voltage |
| | | | | | 18.5 Watt Coil 5 | | | | Seals |
| | | AC | DC | | | | | | |
| 1/4 (SC08) | 1.6 | 1.7 | 0 | 40 | 30 | | | NBR -5 to +80C EPDM or FKM -10 to +145°C PTFE, Ruby, FFKM (Kalrez) -20 to +185°C | SCxx15 + seal + voltage |
| | 2.0 | 2.5 | 0 | 30 | 20 | | | | SCxx25 + seal + voltage |
| | 2.5 | 3.3 | 0 | 20 | 14 | | | | SCxx35 + seal + voltage |
| | 3.0 | 5.0 | 0 | 14 | 10 | | | | SCxx45 + seal + voltage |
| | 4.0 | 9.0 | 0 | 10 | 7 | | | | SCxx55 + seal + voltage |
| 3/8 (SC10) | 5.0 | 13 | 0 | 7 | 4 | | | | SCxx65 + seal + voltage |
| | 6.0 | 15.8 | 0 | 5 | 3 | | | | SCxx75 + seal + voltage |
| | 7.5 | 18.3 | 0 | 3 | 2 | | | | SCxx85 + seal + voltage |
| | 10.0 | 21.7 | 0 | 2 | 1 | | | | SCxx95 + seal + voltage |

OPTIONS

IP65 Coil & Connector PG9 – DIN 43650 A
 NPT Thread
 EPDM (J) Ø5.0mm Max or FKM (V) seals
 PTFE (T),
 FFKM (Kalrez Z) Max Ø 4mm
 Ruby (R) Max Ø 3.0mm
 Explosion Proof Coil 22003EX: EExmIT4 II ATEX 2G IP65 T 130°C
 Silver Shading Ring for AC voltages

ELECTRICAL DATA

| Voltage (-10% + 15%) Continuous duty 100% | | Coil | Power Consumption | Insulation class | Enclosure | Electrical connections |
|--|---------------------------------|-----------------|-------------------|------------------|----------------------------|--|
| ~ | 12-24-48-110-230-380 (50/60 Hz) | Coil 4 22003 | 15.4 VA | H 180°C | IP 65 with connector | 3 spades DIN 43650 DIN 40050 VDE 0110 |
| = | 12-24-48-110-220 (DC) | | 15 Watts | | | |
| ~ | 24-48-110-240 (50 or 60 Hz) | Coil 5 22005 | 23VA | | | |
| = | 12-24-48-80-190 (DC) | | 18.5 Watts | | | |

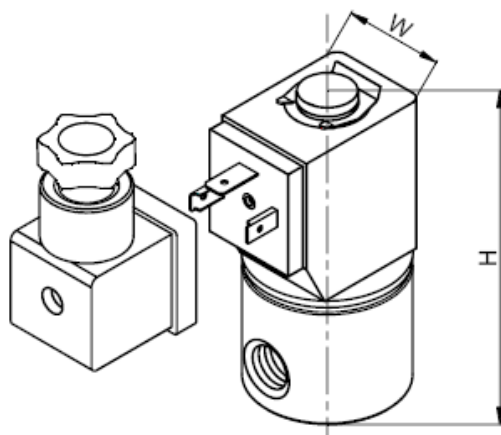
CONSTRUCTION

Body: AISI303 Stainless steel, Tube and internal parts: AISI304 stainless steel, Head & plunger: AISI 430Fr Stainless steel
 Seals and gaskets: NBR, Optional EPDM, FKM, PTFE, FFKM, Ruby
 Moulded coil: Resin

REPAIR KIT

| | |
|----------------------------|--------------------------------------|
| Coil | Coil size (22003 or 22005) + voltage |
| Complete Armature assembly | SP + Valve Part Number -ARMATURE |

OVERALL DIMENSIONS



| Port | W 22003 | W 22005 | L | H | A | A1 | B | Kg |
|------|---------|---------|----|------|----|----|----|------|
| SC08 | 30 | 36 | 40 | 85.5 | 13 | 7 | M5 | 0.52 |
| SC10 | 30 | 36 | 40 | 85.5 | 13 | 7 | M5 | 0.59 |

