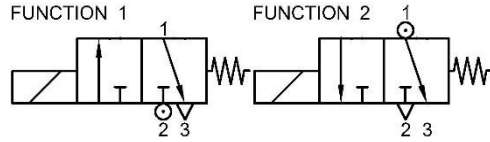




3/2 Way Direct Acting N.C. Plunger Series

Opening: 5~20ms

Closing: 10~40ms



AMBIENT TEMP. -15°C~50°C (No Freezing)

Coil No.	#2	#3	#2E
AC (VA)	6.9	8.0	5.3
Final Temp. °C	70.0	60.0	50.0
DC (W)	6.0	6.8	5.2
Final Temp. °C	78.0	73.0	62.0

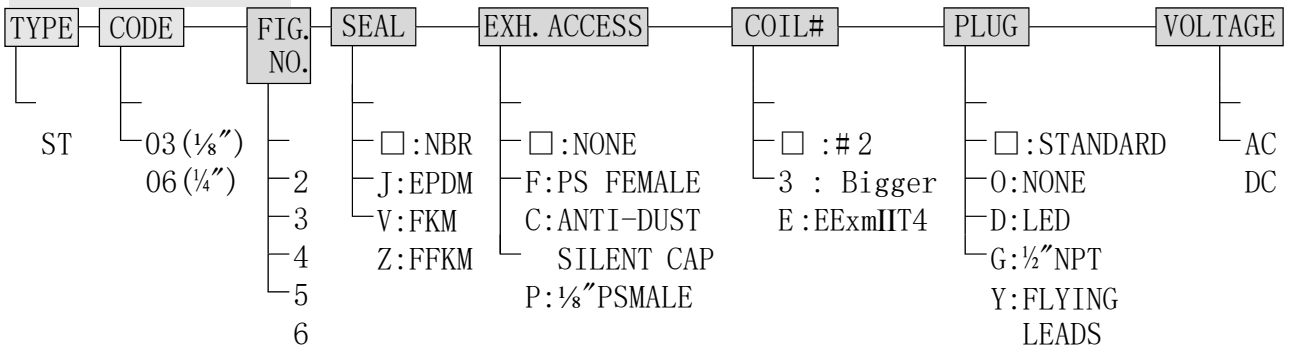
SEAL TEMP. °C

Coil No.	#2	#3	#2E
N:NBR	-5~80		
J:EPDM	-10~80	-10~145	-10~80
V:FKM	-10~80	-10~145	-10~80
Z:FFKM	-20~80	-20~80	-20~80

SPECIFICATIONS SUS303 Body for Water, Air, Vacuum etc.

CODE (PIPE)	FIG. NO.	ORIFICE mm		SEAL	COIL	WORKING PRESSURE 0~ bar						Cv	Torr
		Body	Tube			#2		#3		#2E			
						FUNCTION							
						1	2	1	2	1	2		
03 (1/8")	2	1.0	1.2	N J V Z	#2 #3 #2E	6.5	7.0	8.0	9.0	5.5	5.5	0.03	10 ⁻¹
	3	1.3				6.0		7.0		4.8		0.05	
	4	1.6				4.0		5.5		3.5		0.09	
06 (1/4")	5	2.0	1.5	N J V Z	#2 #3 #2E	2.8	5.0	3.5	7.0	2.0	3.5	0.14	
	6	2.5				1.2		1.5		0.8		0.18	

TYPE INDICATION (□ means standard)



※EExmIIT4 Coil w/o LED Plug

※Y:#2 Coil Only

※#2Y AC/DC50V up Coil w/o E Mark

※The specifications are tested with NASS AC220V/50HZ and DC24V. WE reserve the right to change the specification without notice.

Examples

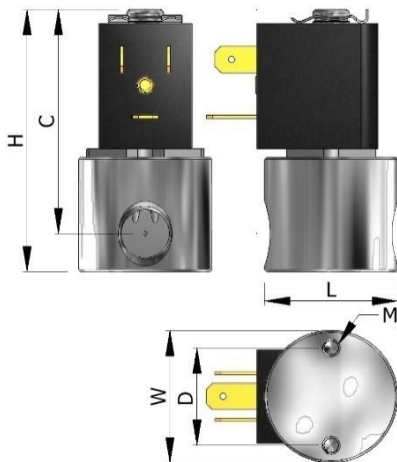
Example 1: ST06-1-J-D-AC220V
 TYPE ST, 1/4" Pipe, Body Orifice 1.0mm, Tube Orifice 1.2 mm, EPDM Seal,
 Nass #2 Coil, LED Plug, AC220V

Example 2: ST03-4-V-3-DC24V
 TYPE ST, 1/8" Pipe, Body Orifice 2.0mm, Tube Orifice 1.5 mm, FKM Seal,
 Nass #3 Coil, Standard Plug, DC24V

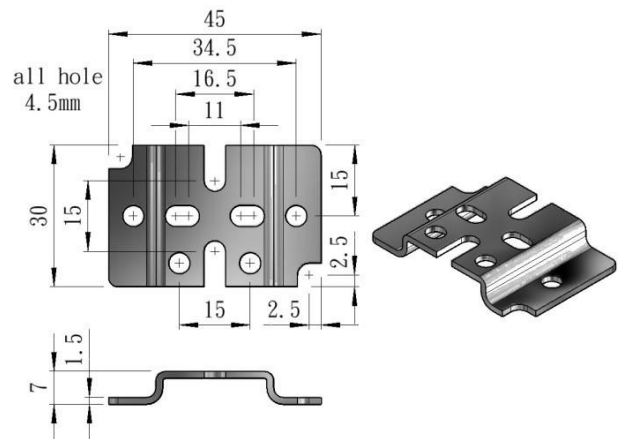
DIMENSIONS/WEIGHT

TYPE	Size:mm								Net Weight:kg		
	L	W			H	C	D	M	#2	#3	#2E
		#2	#3	#2E							
03 (1/8")	25	25	30		58	51	18	M4	0.18	0.23	0.50
06 (1/4")	30				63	53	23		0.23	0.28	0.55

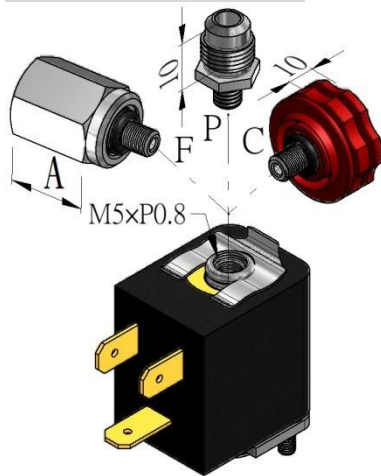
DIMENSIONED DRAWING



OPTION ACCESSORY BRACKET



OPTION ACCESSORY EXHAUST PARTS



F:PS Female	
Port	A
1/8"	19.0
1/4"	20.0