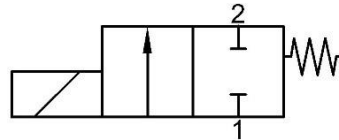




# 2/2 Direct Acting N.C. Plunger Series

Opening: 5~20ms

Closing: 10~40ms



Power Consumption	COIL#	#2	#3	#2E
	AC (VA)	6.9	8.0	5.3
	Final Temp. °C	70.0	60.0	50.0
	DC (W)	6.0	6.8	5.2
	Final Temp. °C	78.0	73.0	62.0
Ambient Temp.: -15°C~50°C (No Freezing)				

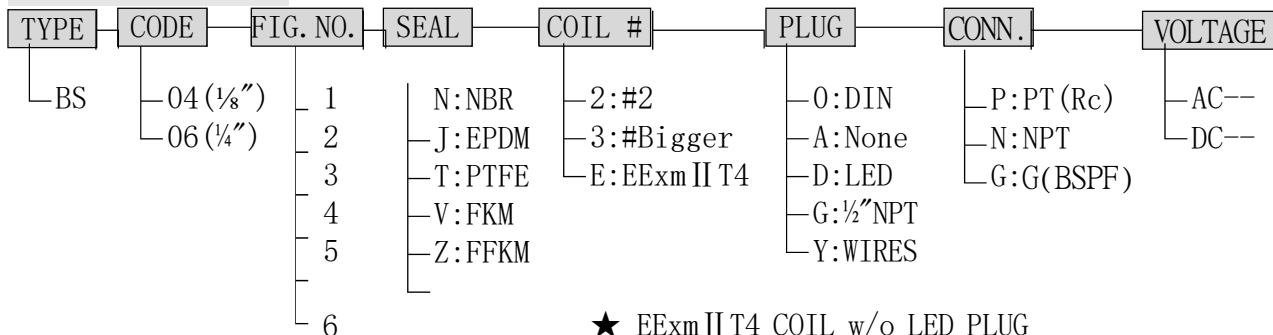
SEAL	Temp. °C	#2	#2E	#3
	N:NBR	-5~80		
	J:EPDM	-10~80		-10~145
	V:FKM			
	T:PTFE			
	Z:FFKM	-20~80		

## SPECIFICATIONS Brass Body, For Water, Air, Gas, Light Oil(50cst down), Vacuum etc.

CODE (PIPE)	Fig. NO.	Orifice mm	SEAL	COIL	WORKING PRESSURE 0~ bar						Cv	Torr
					#2		#3		#2E			
					AC	DC	AC	DC	AC	DC		
04 (1/8")	1	1.0	N	#2	30.0						0.03	10 <sup>-2</sup>
	2	1.3	J		30.0	24.0	30.0		30.0	0.05		
	3	1.6	V			20.0			30.0	24.0	0.09	
	4	2.0	T		16.0	11.0	22.0	20.0	17.0	14.0	0.14	
06 (1/4")	5	2.5	Z	#3	10.0	7.0	12.0	10.0	10.0	8.0	0.18	10 <sup>-1</sup>
	6	3.0			#2E	6.0	4.0	8.0		7.0	5.0	

- ★PTFE seal has below 300cc/min. slight leakage, not suitable for vacuum.
- ★Max. Orifice: T-2.5mm.

## TYPE INDICATION



- ★ EExm II T4 COIL w/o LED PLUG
- ★ Y:#2 COIL only
- ★ #2Y AC/DC50V up COIL w/o CE Mark

## EXAMPLES

Example 1: BS04-4-N-2-0-P DC24

TYPE BS, 1/8"PT, Orifice 2.0mm, NBR Seal, Nass#2 Coil, DIN Plug, DC24V

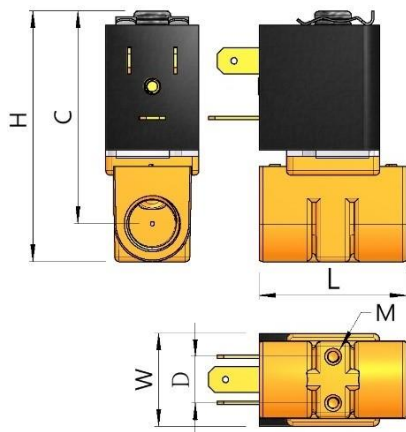
Example 2: BS06-1-V-3-D AC220V

TYPE BS, G1/4, Orifice 1.0 mm, FKM Seal, Nass #3 Coil, LED Plug, AC220V

## DIMENSIONS/WEIGHT

CODE	DIMENSIONS : mm								NET WEIGHT : kg		
	L	W			H	C	D	M	#2	#3	#2E
		#2	#3	#2E							
04 (1/8")	35	22	30		60	51	11	M3	0.20	0.25	0.52
06 (1/4")									0.18	0.23	0.50

## DIMENSIONED DRAWING



## OPTION M Bracket

