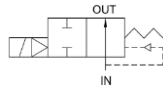


Media: air – water – gas – light oil - vacuum  
 Pressure range: 0 to 20 Bar max  
 Media temperature: -20°C to +185°C max\*  
 Ambient temperature: -15°C to +50°C max  
 Media viscosity: 50 centistokes max  
 Mounting: any position  
 Weight (including coil) 640g  
 Open 10 to 30msec, Close 20 to 60mSec



# 2/2 Stainless

## 1/4 - 3/8

### NORMALLY OPEN

### 2 WAY DIRECT ACTING

### 0 – 20 Bar

## TYPE RQ08/10



#### PRESSURE

Ø Port BSP	Ø Orifice (mm)	Flow Kv Ltr/Min	Pressure Rating (Bar)		Seals	Part Number (Replace xx with port size)	
			Vacuum Torr	15W Coil 4 + ATEX Coil 22003EX			
				AC			DC
1/4 (08)	2	3	10 <sup>-2</sup>	16	13	NBR -5°C +80°C FKM -10°C +160°C	RQxx14 + seal + voltage
	2.5	4		13	8		RQxx24 + seal + voltage
	3	6.1		8	5		RQxx34 + seal + voltage
3/8 (10)	4	8.8	10 <sup>-1</sup>	5	3	EPDM -10°C +145°C PTFE -20°C +170°C	RQxx44 + seal + voltage
	5	13.8		2.5	2		RQxx54 + seal + voltage
	5.5	15.8		2	1		RQxx64 + seal + voltage

Ø Port BSP	Orifice	Flow Kv	Vacuum Torr	18W Coil 5 22005		Seals	Part Number (Replace xx with port size)
				AC	DC		
2.5	4	16	13	RQxx25 + seal + voltage			
3	6.1	13	8	RQxx35 + seal + voltage			
3/8 (10)	4	8.8	10 <sup>-1</sup>	8	5	EPDM -10°C +145°C PTFE -20°C +185°C	RQxx45 + seal + voltage
	5	13.8		5	3		RQxx55 + seal + voltage
	5.5	15.8		3	2		RQxx65 + seal + voltage

#### OPTIONS

IP65 Coil and Connector PG9 DIN43650A  
 NPT Thread  
 ATEX 22003EX Coil: ATEX EExmIIT4 II 2G & 2D IP65 T130°C   
 FKM (V) or EPDM (J) seal 5mm Max  
 PTFE (T) 4mm Max, require DC or rectified AC coil  
 Silver shading ring for RO water

#### ELECTRICAL DATA

Voltage (-10% + 15%) Continuous duty 100%		Coil	Power Consumption	Insulation class	Enclosure	Electrical connections
~	12-24-48-110-230-380 (50/60 Hz)	Coil 4 22003	19.5VA	H 180°C	IP 65 with connector	3 spades DIN 43650 DIN 40050 VDE 0110
=	12-24-48-110-220 (DC)		15 Watts			
~	24 - 48 - 110 – 230 (50 or 60 Hz)	Coil 5 22005	23VA			
=	12 - 24 - 48 – 110 - 220(DC)		18.5 Watts			

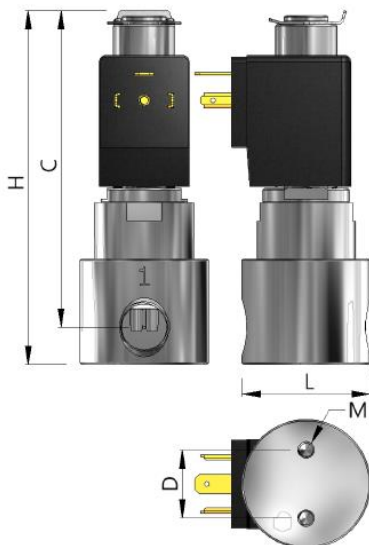
#### CONSTRUCTION

Body: AISI303 Stainless steel, Tube and internal parts: AISI304 stainless steel, Head & plunger: AISI 430Fr Stainless steel  
 Seals and gaskets: NBR (Optional EPDM (J), FKM (V), FFKM (Z) or PTFE (T))  
 Moulded coil: Duroplast / Thermo set resin  
 Exhaust 1/8 BSP Female (F) see options above

#### REPAIR KIT

Coil	Coil 4 (22003) or coil 5 (22005) + voltage
Complete plunger + O' rings	SP + Valve Part Number -ARMATURE

#### OVERALL DIMENSIONS



Port	L	H	C	D	M	22003	22005	ATEX
1/4	40	114	102	31	M5x0.8	620g	700g	930g
3/8	42					640g	720g	960g

#### Accessories (option) :

