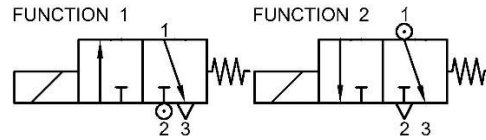




3/2 Way Direct Acting N.C. Plunger Series

Opening: 5~20ms

Closing: 10~40ms



AMBIENT TEMP. -15°C~50°C (No Freezing)

Coil No.	#2	#3	#2E
AC(VA)	6.9	8.0	5.3
Final Temp. °C	70.0	60.0	50.0
DC(W)	6.0	6.8	5.2
Final Temp. °C	78.0	73.0	62.0

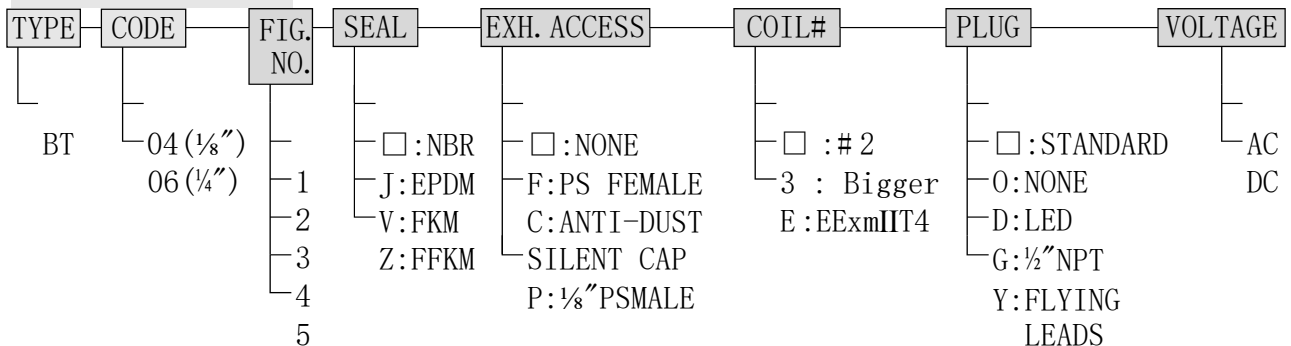
SEAL TEMP. °C

Coil No.	#2	#3	#2E
N:NBR	-5~80		
J:EPDM	-10~80	-10~145	-10~80
V:FKM			
Z:FFKM	-20~80		-20~80

SPECIFICATIONS Brass Body for Water, Air, Vacuum etc.

CODE (PIPE)	FIG. NO.	ORIFICE mm		SEAL	COIL	WORKING PRESSURE 0~ bar						Cv	Torr	
		Body	Tube			#2		#3		#2E				
						FUNCTION								
						1	2	1	2	1	2			
04 (1/8")	1	1.0	1.2	N J V Z	#2	6.5	7.0	8.0	9.0	5.5	5.5	0.03	10 ⁻¹	
	2	1.3				6.0		7.0		4.8				0.05
	3	1.6				4.0		5.5		3.5				0.09
06 (1/4")	4	2.0	1.5	#3	#2E	2.8	5.0	3.5	7.0	2.0	3.5	0.14		
	5	2.5				1.2		1.5		0.8		0.18		

TYPE INDICATION (□ means standard)



※EExmIIT4 Coil w/o LED Plug

※Y:#2 Coil Only

※#2Y AC/DC50V up Coil w/o CE Mark

※The specifications are tested with NASS AC220V/50HZ and DC24V. We reserve the right to change the specification without notice.

Examples

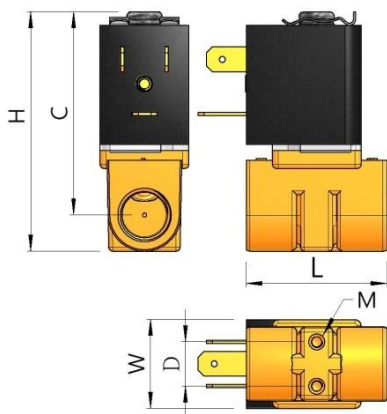
Example 1: BT06-1-J-D-AC220V
 TYPE BT, 1/4"Pipe, Body Orifice 1.0mm, Tube Orifice 1.2 mm, EPDM Seal, Nass #2 Coil, LED Plug, AC220V

Example 2: BT04-4-V-3-DC24V
 TYPE BT, 1/8"Pipe, Body Orifice 2.0mm, Tube Orifice 1.5 mm, FKM Seal, Nass #3 Coil, Standard Plug, DC24V

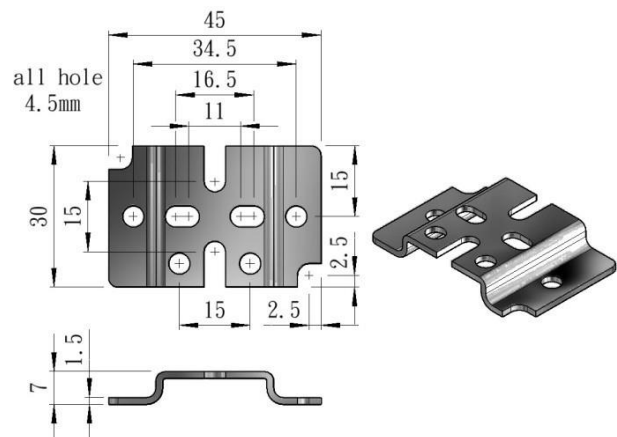
DIMENSIONS/WEIGHT

TYPE	Size:mm							Net Weight:kg			
	L	W			H	C	D	M	#2	#3	#2E
		#2	#3	#2E							
04 (1/8")	35	22	30		60	51	11	M3	0.20	0.25	0.52
06 (1/4")									0.18	0.23	0.50

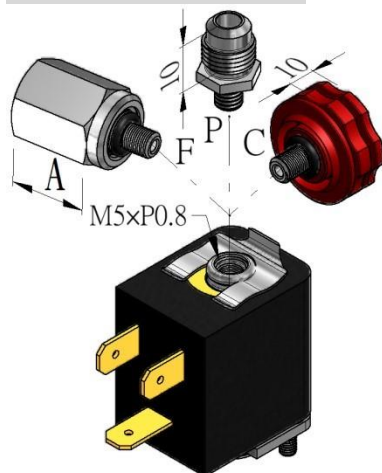
DIMENSIONED DRAWING



OPTION ACCESSORY BRACKET



OPTION ACCESSORY EXHAUST PARTS



F:PS Female	
Port	A
1/8"	19.0
1/4"	20.0