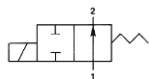


Media: air – water – gas – light oil - vacuum  
 Pressure range: 0 to 24 Bar max  
 Media temperature: 150°C max\*  
 Ambient temperature: -5° to +50°C max  
 Media viscosity: 50 centistokes max  
 Mounting: any position  
 Opening or Closing Time: 6 - 20 mSec Max



NO

# 2/2 Stainless

## 1/8 - 3/8

### NORMALLY OPEN

### 2 WAY DIRECT ACTING

### 0 - 24 Bar

### TYPE RCS



#### PRESSURE

Ø Port	Ø Orifice (mm)	Kv Ltr/min	Pressure Rating (Bar)			Seals	Part Number (Replace xx with port size)
			Min	15 Watt Coil 4	10 Watt ATEX Coil 3E		
1/8 (03)	1.6	1.7	0	16	16	NBR -5 to +90°C	RCSxx14 + seal + voltage
	2.0	2.5	0	13	13		RCSxx24 + seal + voltage
1/4 (06)	2.2	2.8	0	10	10	FKM + EPDM -5 to +120°C	RCSxx34 + seal + voltage
3/8 (10)	2.5	3.3	0	7	7		RCSxx44 + seal + voltage
	3.0	5.2	0	5	5		RCSxx54 + seal + voltage
Port	Orifice mm	Flow Kv	Min	18.5 Watt Coil 5		Seals	Part Number (Replace xx with port size)
1/8 (03)	1.6	1.7	0	24		NBR -5 to +90°C	RCSxx15 + seal + voltage
	2.0	2.5	0	20			RCSxx25 + seal + voltage
1/4 (06)	2.2	2.8	0	16		FKM + EPDM -5 to +150°C	RCSxx35 + seal + voltage
	3/8 (10)	2.5	3.3	0	10		RCSxx45 + seal + voltage
		3.0	5.2	0	7		RCSxx55 + seal + voltage

#### OPTIONS

IP65 Coil & Connector PG9 – DIN 43650 A  
 ATEX 22003EX3E: EExmIIT4 2G & 2D IP65 T130°C   
 NPT Thread  
 EPDM (J) or FKM (V) Seals  
 PTFE Seals (T)

#### ELECTRICAL DATA

Voltage (-10% + 15%) Continuous duty 100%		Coil Size	Power	Insulation class	Enclosure	Electrical connections
~	12 - 24 - 48 - 110 - 240 - 380 (50/60Hz)	Coil 4 22003	15.4VA	H 180°C	IP 65 with connector	3 spades DIN 43650A DIN 40050 VDE 0110
=	24 - 48 - 110 - 220 (DC)		15 Watts			
~	24 - 48 - 110 - 230 - 380 (50/ 60Hz)	Coil 5 22005	23VA			
=	12 - 24 (DC)		18.5 Watts			

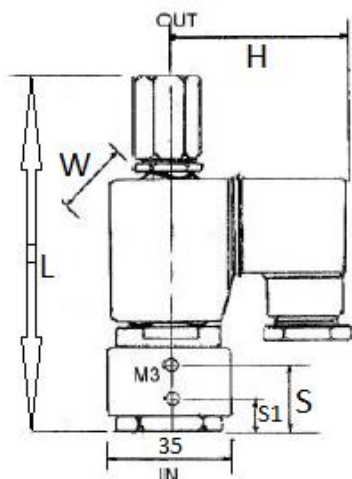
#### CONSTRUCTION

Body: 303 Stainless steel  
 Tube and internal parts: Stainless steel  
 Seals and gaskets: NBR, FKM or FKM  
 Moulded coil: Duroplast / Thermo set resin

#### REPAIR KIT

Coil	Coil 4 (22003) or Coil 5 (22005) + voltage
Complete plunger + O 'rings	KIT + valve part number

#### OVERALL DIMENSIONS



Model	L	H	W	S	S'	Kg
RCS	105	60	30 36	17	10	0.45