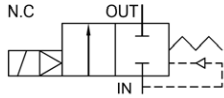


Media: air – water – gas – light oil - vacuum
 Pressure range: 0 to 10 Bar max
 Media temperature: 120°C max*
 Ambient temperature: -15°C to +50°C max
 Media viscosity: 50 centistokes max
 Mounting: coil upright
 Open 50 to 100ms Close 100 to 200ms



2/2 Brass

1/4 – 3/8

NORMALLY CLOSED

2 WAY ASSISTED LIFT

0 – 10 Bar

TYPE EK0809



PRESSURE

Ø Port BSP	Orifice (mm)	Flow Kv Ltr/Min	Pressure Rating (Bar)		Seals	Part Number (Replace xx with port size)	
			Min	6 Watt Coil 2			
				AC			DC
1/4 (08) Or 3/8 (09)	15	30	0	7	3	NBR, EPDM, FKM -10 °C to +80 °C	EKxxA2 + seal + voltage
	15	37	0	5	1		EKxxB2 + seal + voltage
				5.2W ATEX Coil 2E			
	15	30	0	7	5	NBR, EPDM, FKM -10 °C to +120 °C	EKxxA2E + seal + voltage
	15	37	0	5	3		EKxxB2E + seal + voltage
				6.8 Watt Coil 3			
	15	30	0	10	7	NBR, EPDM, FKM -10 °C to +120 °C	EKxxA3 + seal + voltage
	15	37	0	7	5		EKxxB3 + seal + voltage

OPTIONS

Connector PG9 – DIN 43650
 NPT Thread
 FKM (V) or EPDM (J) seal

ELECTRICAL DATA

Voltage (-8% + 8%) Continuous duty 100%	Coil	Power Consumption	Insulation class	Enclosure	Electrical connections
~ 24 - 48 - 110 - 230 (50/ 60Hz)	Coil 2 22001/5 22mm	6.9VA	F 155°C	IP 65 with connector	3 spades DIN 43650 DIN 40050 VDE 0110
= 12 - 24 (DC)		6 Watts			
~ 24 - 48 - 110 - 230 (50/ 60Hz)	Coil 3 22002/6 30mm	8VA			
= 12 - 24 - 48 - 240 (DC)		6.8 Watts			

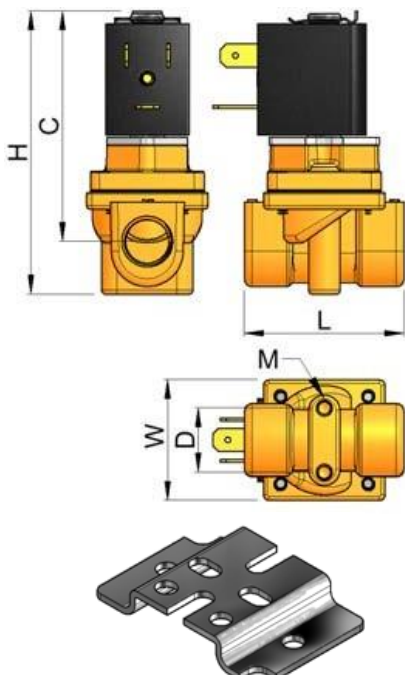
CONSTRUCTION

Body: Brass, Tube and internal parts: Stainless steel
 Seals and gaskets: NBR, FKM or, EPDM
 Moulded coil: Resin

REPAIR KIT

Coil	Coil 2 (22001/5) or Coil 3 (22002/6) + voltage
Seal Kit	SP + Valve Part Number -Kit

OVERALL DIMENSIONS



	L	W	H	C	D	M	Kg
EK	40	32	72	61	17	M4	0.57

