

225 Series 2/2 Way Solenoid Valve

Brass Series, Pilot Acting

Features

1. Pilot acting for low starting pressure.
2. Large flow rate and high working pressure.
3. Quick response.
4. Stainless steel stem provides exceptional durability.
5. Flange available JIS 10K, ANSI 150LB or PN16.
6. Ex-proof coil EExmIT4 optional accessory.
7. Timer for setting on/off time as optional accessory.
8. CE conformity for all series.



How to order

PU225A	N	V	F	-	03	N	-	S1	L	E
Brass	Acting style	Diaphragm	Flange type		Port size	Thread		Voltage	Led	Ex-Proof coil
Assisted lift	Blank: Normally closed N: Normally open	Blank: NBR V: VITON E: EPDM H: HNBR	Blank: W/O Flange F: 10K F3: 150LB F4: PN16		03: 3/8" 04: 1/2" 06: 3/4" 08: 1" 12: 1 1/4" 14: 1 1/2" 20: 2"	Blank: G N: NPT R: Rc		S1: 110VAC S2: 220VAC S6: 24VAC S7: 12VDC S9: 24VDC	Blank: W/O LED L: W/I LED	Blank: Standard E: EX-proof coil

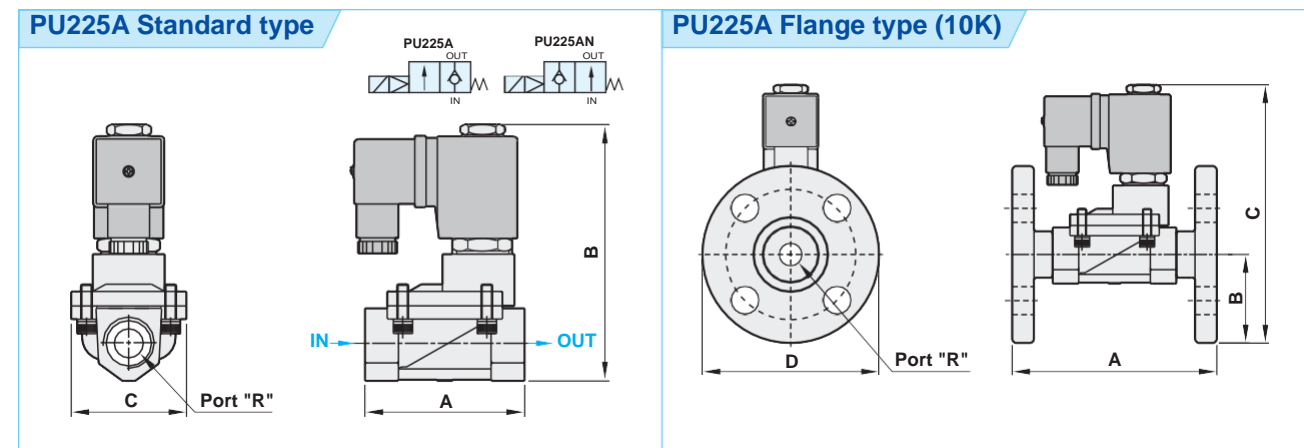
Specifications

Model	PU225A-03	PU225A-04	PU225A-06	PU225A-08	PU225A-12	PU225A-14	PU225A-20
Port size	3/8"	1/2"	3/4"	1"	1 1/4"	1 1/2"	2"
Fluid	Compressed air (light oil, water)						
Orifice	13mm		25mm		38mm		50mm
Effective area	88mm ²		230mm ²		404mm ²		552mm ²
Acting	Pilot acting						
Construction	Diaphragm						
Operating pressure range	0.5~10kgf/cm ² (0.5 ~ 10.0Bar)						
Proof pressure	15 kgf/cm ² (15.0Bar)						
Body / Flange material	Forged Brass / Steel SS41						
Fluid temperature	-10°C ~ 90°C						
Ambient temperature	-10°C ~ 60°C						
Installation	Horizontal						
Duty cycle	100% ED						
Coil type	DIN						
Protection class	IP65 (DIN 40 050)						
Insulation	H						
Voltage tolerance	±10%						
Standard voltage	220VAC, 110VAC, 24VDC, the other voltage is optional						
Power consumption	Normally closed AC110V : 17.6VA, AC230V : 18.1VA, DC : 15W ; Normally open AC : 17.8VA, DC : 15W						
Net weight	775g		1550g		2820g		4665g

Seal material selection guide

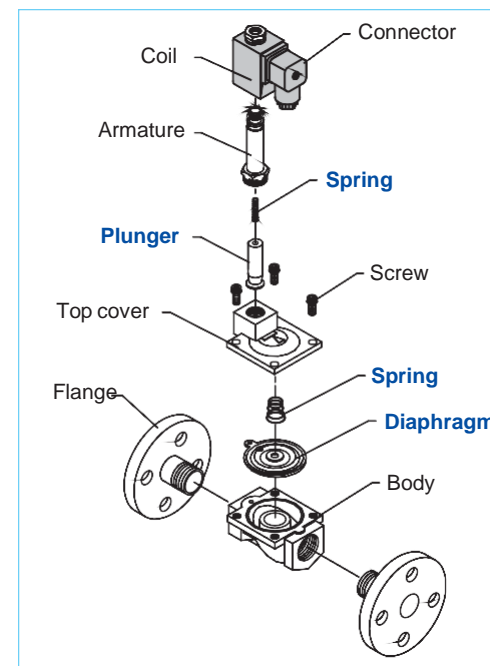
Seal	Temperature range	Suitable fluid	Unsuitable fluid
NBR	-15°C ~ 80°C	Air, Water, Neutral gases, Mineral oil	Fuel oil, Gasoline and Hi-test gasoline, Diesel fuel, pharmaceutical liquid, Gasoline and
HNBR	-40°C ~ 150°C	Air, Water, Gear oil, Engine oil	Hi-test gasoline, Light oil
VITON	-10°C ~ 180°C	Fuel oil, Gasoline and Hi-test gasoline, Diesel fuel	Hot water, Steam, Brake oil (ATE Blue)
EPDM	-5°C ~ 130°C	Hot water, Detergent liquid	Mineral oil, Gasoline

Dimensions



Model	(mm)							Model	(mm)						
	PU225A-03	PU225A-04	PU225A-06	PU225A-08	PU225A-12	PU225A-14	PU225A-20		PU225AF-03	PU225AF-04	PU225AF-06	PU225AF-08	PU225AF-12	PU225AF-14	PU225AF-20
R	3/8"	1/2"	3/4"	1"	1 1/4"	1 1/2"	2"	R	3/8"	1/2"	3/4"	1"	1 1/4"	1 1/2"	2"
A	66.5	66.5	96	96	131.5	131.5	160	A	110	110	145	150	180	180	210
B	106.5	106.5	126	126	145.5	145.5	160	B	45	47.5	50	62.5	67.5	70	77.5
C	48.5	48	70.7	70.7	96	96	112	C	136	138.5	153	165.5	173	182.5	210
								D	90	95	100	125	135	140	155

Explosion



How to order Repair kit

ZGPU225A	-	03	N
Repair kit		Port size	Diaphragm
ZGPU225A (Normally closed)		03 : for 3/8", 1/2"	N : NBR
ZGPU225AN (Normally open)		06 : for 3/4", 1"	V : VITON
		12 : for 1-1/4", 1-1/2"	E : EPDM
		20 : 2"	H : HNBR

Description	Qty.
Plunger	1
Spring	2
Diaphragm	1

Flow chart

