

Features

- * 3/2 way solenoid valve.
- The valve is easy to be stacked.
- * To stack the valve, assembly kit is necessary.
- * Assembly kit includes O-ring x 1, bolt x 2, screw x 2, nut x 2.
- * Coil nut is available, please refer to page 7-4.
- * Ex-proof coil is available, please refer to page 7-8.

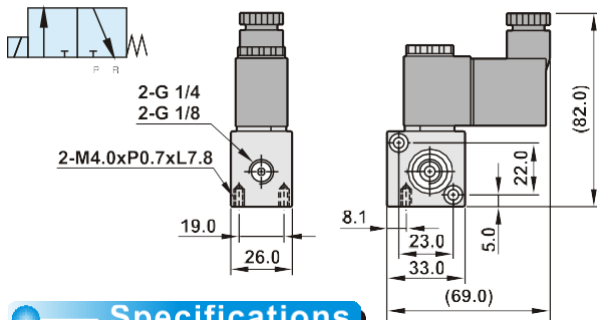


How to order

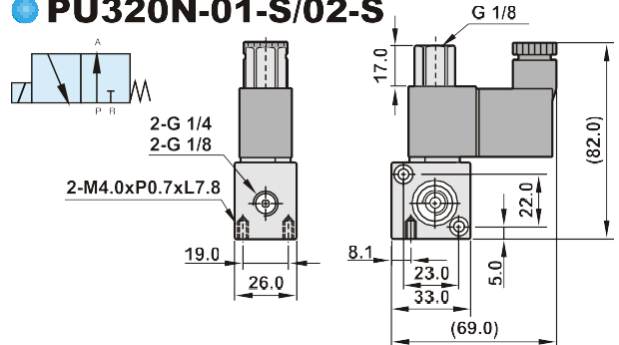
PU320	N	M02	02	-	N	-	S	2	LED	E1						
PU valve series	Acting style		Number of stack		Port size		Thread		Solenoid		Voltage		LED		Coil type	
3/2 way	Blank	Normally closed	Blank	W/O stack	01	1/8"	Blank	G	S	Single solenoid	1	110VAC	Blank	(W/O LED)	Blank	DIN
	N	Normally open	M02	2 valves stack	02	1/4"	N	NPT			2	220VAC			F	Lead wire
			M03	3 valves stack							9	24VDC			E1	EX-proof 22mm width
			Mxx	xx valves stack											E2	EX-proof 30mm width
															E3	EX-proof CSA standard

Dimensions

PU320-01-S/02-S



PU320N-01-S/02-S



Specifications

Model	PU320(N)-01-S	PU320(N)-02-S
Port size	1/8"	1/4"
Body material	Aluminum alloy	
Sectional area	1.5mm ²	
Fluid	Compressed air	
Acting	Directing acting with spring return	
Operating pressure range	0 ~ 8 kgf/cm ²	
Proof pressure	9.9 kgf/cm ²	
Ambient temperature	-10 °C ~ 60 °C	
Duty cycle	100% ED	
Coil type	DIN	
Protection class	IP65 (DIN 40 050)	
Insulation class	F	
Voltage tolerance	± 10%	
Standard voltage	220VAC, 110VAC, 24VDC (The other voltage is optional)	
Net weight	180g	160g

How to stack valve

