

Media: air – water – oil - vacuum
 Pressure range: 0 to 64 Bar max
 Media temperature: -20°C to +130°C
 Ambient temperature: -30°C to +60°C
 Media viscosity: 500 centistokes max
 Mounting: any position
 Opening Closing time: 25 – 130mSec

2/2 Brass & Stainless

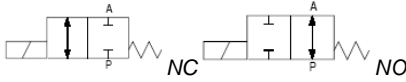
1/4 - 1 1/2 COAXIAL

N/CLOSED & N/OPEN

2 WAY DIRECT ACTING

0 - 64 Bar

TYPE 271



PRESSURE

Port BSP	Ø Orifice (mm)	Flow Kv m³/hr	Pressure Rating (Bar)		Body Material	Part Number	
			Min	Max			
				P→A			A→P
1/4, 3/8, 1/2, (3/4*)	10	2.5	0	64	16	Brass	271A10MOG + port + voltage
3/8, 1/2, 3/4, (1*)	15	5.2	0	64	16	Brass	271A15MOG + port + voltage
1/2, 3/4, 1, (1 1/4*)	20	7.0	0	64	16	Brass	271A20MOG + port + voltage
3/4, 1, 1 1/4, (1 1/2*)	25	12.3	0	64	16	Brass	271A25MOG + port + voltage
1, 1 1/4, 1 1/2	32	20.0	0	64	16	Brass	271A32MOG + port + voltage
1/4, 3/8, 1/2, (3/4*)	10	2.5	0	64	16	AISI303	271A10V2G + port + voltage
3/8, 1/2, 3/4, (1*)	15	5.2	0	64	16	AISI303	271A15V2G + port + voltage
1/2, 3/4, 1, (1 1/4*)	20	7.0	0	64	16	AISI303	271A20V2G + port + voltage
3/4, 1, 1 1/4, (1 1/2*)	25	12.3	0	64	16	AISI303	271A25V2G + port + voltage
1, 1 1/4, 1 1/2	32	20.0	0	64	16	AISI303	271A32V2G + port + voltage
1/4, 3/8, 1/2, (3/4*)	10	2.5	0	64	16	AISI316	271A10V4G + port + voltage
3/8, 1/2, 3/4, (1*)	15	5.2	0	64	16	AISI316	271A15V4G + port + voltage
1/2, 3/4, 1, (1 1/4*)	20	7.0	0	64	16	AISI316	271A20V4G + port + voltage
3/4, 1, 1 1/4, (1 1/2*)	25	12.3	0	64	16	AISI316	271A25V4G + port + voltage
1, 1 1/4, 1 1/2	32	20.0	0	64	16	AISI316	271A32V4G + port + voltage

OPTIONS

Normally Open version (271B):
 Mounting brackets (x2):
 Inductive Position Switch brass or stainless E1 (1 position Open or Closed) or E2 (2 positions Open and Closed)
 NPT- Vacuum – Flanged – Manual Override – Brass Nickel Plated – NBR EPDM PTFE seals, special voltage

<= See
 <= See
 TBA
 POA

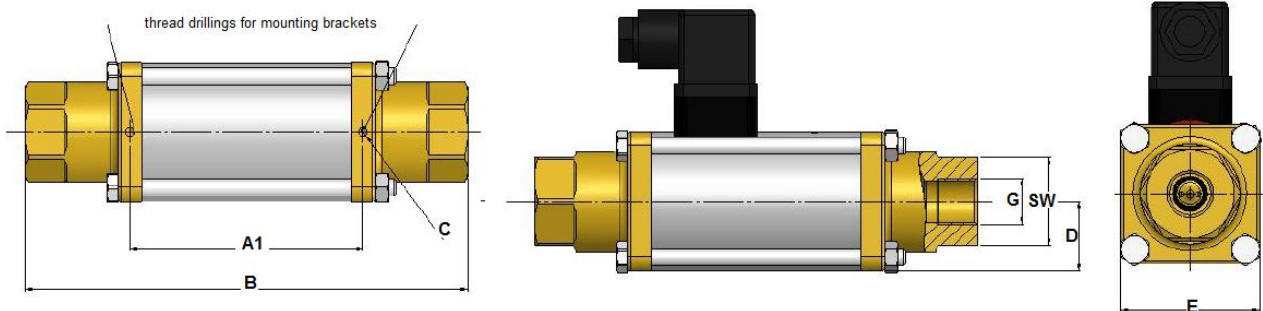
ELECTRICAL DATA

Voltage (-10% + 10%) Continuous duty 100% Standard voltages 24VDC + 230vAC	Power Consumption (Watts)					Insulation class	Enclosure	Electrical connections
	Ø 10	Ø 15	Ø 20	Ø 25	Ø 32			
~ 12 - 24 - 48 - 110 - 230 (40 – 60Hz Connector with rectifier)	53	55	59	85	76	F 155°C	IP 65 with connector	3 spades DIN 43650 DIN 40050 VDE 0110
= 12 - 24 - 48 - 110 - 230 (DC)	44	50	53	77	73			

CONSTRUCTION

Body: Brass MS058 (MO version): Option: AISI303 (V2) 1.4305 or AISI316 (V4) 1.4571
 Tube and internal parts: Stainless steel
 Seals: Static FKM, Dynamic PTFE, Seat FKM/PTFE

OVERALL DIMENSIONS



DN	G	SW	A1	B	C	D	E	Kg
10	1/4 3/8 1/2 (3/4*)	32	84	159.5	M4	25	50	1.7
15	3/8 1/2 3/4 (1*)	41	100	184	M5	35	70	3.6
20	1/2 3/4 1 (1 1/4*)	46	108	215	M5	40	80	5.4
25	3/4 1 1 1/4 (1 1/2*)	55	121	246	M5	45	90	7.1
32	1 1 1/4 1 1/2	60	122	269	M6	57.5	115	12.6