

Media: air – water – oil - vacuum
 Pressure range: 0 to 160 Bar max
 Media temperature: -10°C to +100°C
 Ambient temperature: -10°C to +50°C
 Control pressure: 3 – 8 Bar air
 Media viscosity: 500 centistokes max
 Mounting: any position
 Opening/Closing: 50 – 1000 mSec

2/2 Brass & Stainless

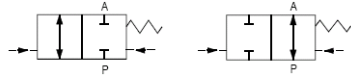
1/4 – 1 1/2" COAXIAL

N/CLOSED + N/OPEN

2 WAY PNEUMATIC

0 - 160 Bar

TYPE 282



PRESSURE

Port BSP	Ø Orifice (mm)	Flow Kv M³/Hr	min	Pressure Rating (bar) ΔP		Body Material	Part Number
				Max.			
				P→A	A→P		
1/4, 3/8, 1/2, (3/4*)	10	2.7	0	160	16	Brass	282A10MOG + port
3/8, 1/2, 3/4, (1*)	15	7.2	0	160	16	Brass	282A15MOG + port
1/2, 3/4, 1, (1 1/4*)	20	9.4	0	160	16	Brass	282A20MOG + port
3/4, 1, 1 1/4, (1 1/2*)	25	14.5	0	160	16	Brass	282A25MOG + port
1/4, 3/8, 1/2, (3/4*)	10	2.7	0	160	16	AISI303	282A10V2G + port
3/8, 1/2, 3/4, (1*)	15	7.2	0	160	16	AISI303	282A15V2G + port
1/2, 3/4, 1, (1 1/4*)	20	9.4	0	160	16	AISI303	282A20V2G + port
3/4, 1, 1 1/4, (1 1/2*)	25	14.5	0	160	16	AISI303	282A25V2G + port
1/4, 3/8, 1/2, (3/4*)	10	2.7	0	160	16	AISI316	282A10V4G + port
3/8, 1/2, 3/4, (1*)	15	7.2	0	160	16	AISI316	282A15V4G + port
1/2, 3/4, 1, (1 1/4*)	20	9.4	0	160	16	AISI316	282A20V4G + port
3/4, 1, 1 1/4, (1 1/2*)	25	14.5	0	160	16	AISI316	282A25V4G + port

OPTIONS

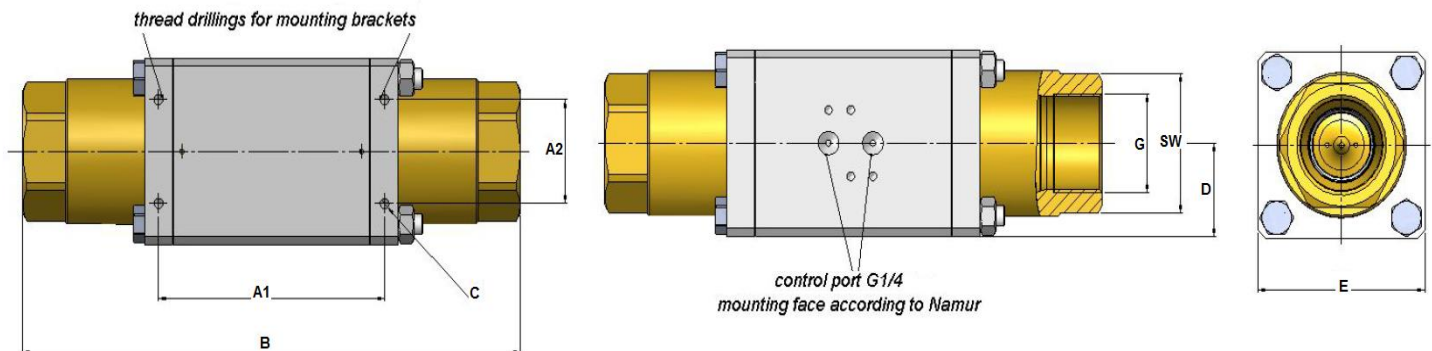
Normally Open version (280B)
 Mounting brackets (x2)
 Namur Valve CY52002S single acting spring close
 Namur Valve CY52002D double acting
 Namur ATEX Coil EExmII T4 T 130°C Ex mb IIC T4 and Gb Ex mb tb IIIC T130°C Db for hazardous area 21 and 22
 Magnetic field sensor E1 (Open or Closed)
 Magnetic field sensor E2 (Open & Closed)
 Other options: (*) special port size, NPT thread, Vacuum, Flanged, NBR or EPDM seals, oil + grease free

<= See
 <= See

CONSTRUCTION

Body: Brass MS058 (MO version): Option AISI303 (V2) or AISI316 (V4)
 Tube and internal parts: Stainless steel
 Seals: Static FKM/PTFE, Seat PTFE

OVERALL DIMENSIONS



DN	G	SW	A1 (mm)	A2 (mm)	B (mm)	C	D (mm)	E (mm)	Kg
10	1/4 3/8 1/2 (3/4*)	32	84	-	159.5	M4	25	50	1.6
15	3/8 1/2 3/4 (1*)	41	100	-	184	M5	35	70	2.8
20	1/2 3/4 1 (1 1/4*)	46	108	-	215	M5	40	80	4.0
25	3/4 1 1 1/4 (1 1/2*)	55	121	-	246	M5	45	90	5.3