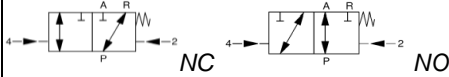


Media: air – water – oil – vacuum  
 Pressure range: 0 to 64 Bar max  
 Media temperature: -20°C to +100°C  
 Ambient temperature: -30°C to +50°C  
 Media viscosity: 500 centistokes max  
 Mounting: any position  
 Air pilot: 3 - 8 Bar  
 Open / Close 50 – 1000 mSec



# 3/2 Brass & Stainless

## 1/4 – 2" COAXIAL

### N/CLOSED & N/OPEN

### 3 WAY PNEUMATIC

### 0 - 64 Bar


## TYPE 380



#### PRESSURE

Port BSP	Ø Orifice (mm)	Flow Kv M³/Hr	min	Pressure Rating (Bar)		Body Material	Part Number
				Max.			
				P→A P→R	A→P R→P		
1/4, 3/8, 1/2, (3/4*)	10	2.5	0	64	16	Brass	380A10MOG + port
3/8, 1/2, 3/4, (1*)	15	6.6	0	64	16	Brass	380A15MOG + port
1/2, 3/4, 1, (1 1/4*)	20	10.0	0	64	16	Brass	380A20MOG + port
3/4, 1, 1 1/4, (1 1/2*)	25	12.2	0	64	16	Brass	380A25MOG + port
1, 1 1/4, 1 1/2	32	17.9	0	64	16	Brass	380A32MOG + port
1 1/2	40	41.5	0	64	16	Brass	380A40MOG112
2	50	43.0	0	64	16	Brass	380A50MOG2
1/4, 3/8, 1/2	10	2.5	0	64	16	AISI303	380A10V2G + port
3/8, 1/2, 3/4	15	6.6	0	64	16	AISI303	380A15V2G + port
1/2, 3/4, 1	20	10.0	0	64	16	AISI303	380A20V2G + port
3/4, 1, 1 1/4	25	12.2	0	64	16	AISI303	380A25V2G + port
1, 1 1/4, 1 1/2	32	17.9	0	64	16	AISI303	380A32V2G + port
1 1/2	40	41.5	0	64	16	AISI303	380A40V2G112
2	50	43.0	0	64	16	AISI303	380A50V2G2
1/4, 3/8, 1/2	10	2.5	0	64	16	AISI316	380A10V4G + port
3/8, 1/2, 3/4	15	6.6	0	64	16	AISI316	380A15V4G + port
1/2, 3/4, 1	20	10.0	0	64	16	AISI316	380A20V4G + port
3/4, 1, 1 1/4	25	12.2	0	64	16	AISI316	380A25V4G + port
1, 1 1/4, 1 1/2	32	17.9	0	64	16	AISI316	380A32V4G + port
1 1/2	40	41.5	0	64	16	AISI316	380A40V4G112
2	50	43.0	0	64	16	AISI316	380A50V4G2

#### OPTIONS

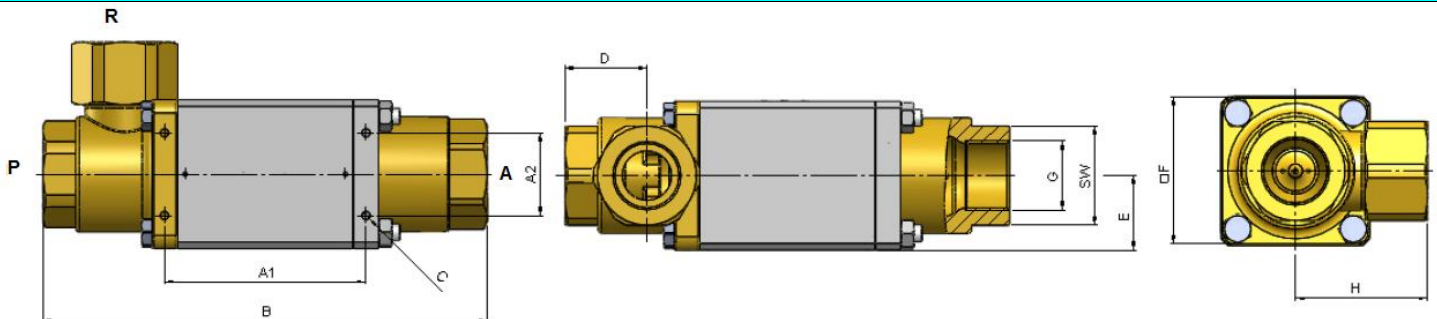
Normally Open (380B):  
 Mounting brackets (x2):  
 Namur Valve CY52002S single acting spring close  
 Namur Valve CY52002D double acting  
 ATEX EExmII T4 Temperature Class T4 T130°C Ex mb IIC T4 and Gb Ex mb tb IIIC T130°C Db for hazardous area 21 and 22   
 Magnetic field sensor E1 (Open or Closed) position feedback switches  
 Magnetic field sensor E2 (Open & Closed) position feedback switches  
 Available upon request – Vacuum – Brass Nickel Plated – Free of oil and Grease – Flanged – NBR EPDM or PTFE seals

⇐ See  
 ⇐ See

#### CONSTRUCTION

Body: Brass MS058 (MO): Optional AISI303 (V2) 1.4305 or AISI316 (V4) 1.4571  
 Tube and internal parts: Stainless steel  
 Seals: Static FKM, Dynamic PTFE + FKM, Seat PTFE

#### OVERALL DIMENSIONS



DN	G	SW	A1 (mm)	A2 (mm)	B (mm)	C (mm)	D (mm)	E (mm)	F (mm)	H (mm)	Kg
10	1/4 3/8 1/2 3/4	32	84	-	166.5	M4	32	25	50	37	1.8
15	3/8 1/2 3/4 1	41	100	-	200	M5	38.5	35	70	60	3.2
20	1/2 3/4 1 1 1/4	46	108	-	228	M5	45.5	40	80	72	4.6
25	3/4 1 1 1/4 1 1/2	55	121	-	252	M5	48	45	90	80	6.5
32	1 1 1/4 1 1/2	60	122	50	269	M6	49.5	45	90	80	7.6
40	1 1/2	75	131	60	304	M6	56.5	55	110	84	12.1
50	2	75	131	80	304	M6	56.5	55	110	84	12.1