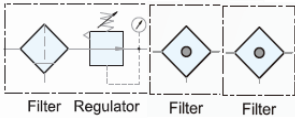


Media: air
 Inlet Pressure: 10 Bar max
 Pressure range: 0.5 to 10 Bar
 Media temp: 0°C to +60°C
 Ambient temp: 0°C to +60°C
 Mounting: Upright +/- 5°



Breathing Air Filter Set

3/4 & 1

Coalescing & Carbon Filtration

Semi Auto or Manual Drain

0.5 - 10 Bar

TYPE UFR+UMFK



PRESSURE

Ø Port BSP	Max Flow Air L/min @ 7.5 Bar (ANR)	Pressure (Bar)		Combination	Part Number
		Min	Max		
3/4	7940	0.5	10	Filter Regulator + Coalescing Filter + Activated Carbon Filter	UFR06-UMF06B-UMF06KB
1	8200	0.5	10		UFR08-UMF08B-UMF08KB

OPTIONS

5 micron PE pre-filter, 0.01µ coalescing filter, activated carbon filter, semi-auto drain, mounting brackets, pressure gauge + plug
 40 micron pre-filter element (C)
 5 micron (S) or 40 micron (T) sintered bronze pre-filter element
 0.1 micron coalescing filter element (L)
 3pcs Manual drains (H)
 3pcs Acid + Alkali resistant bowls (A)
 NPT or Rc thread

Included

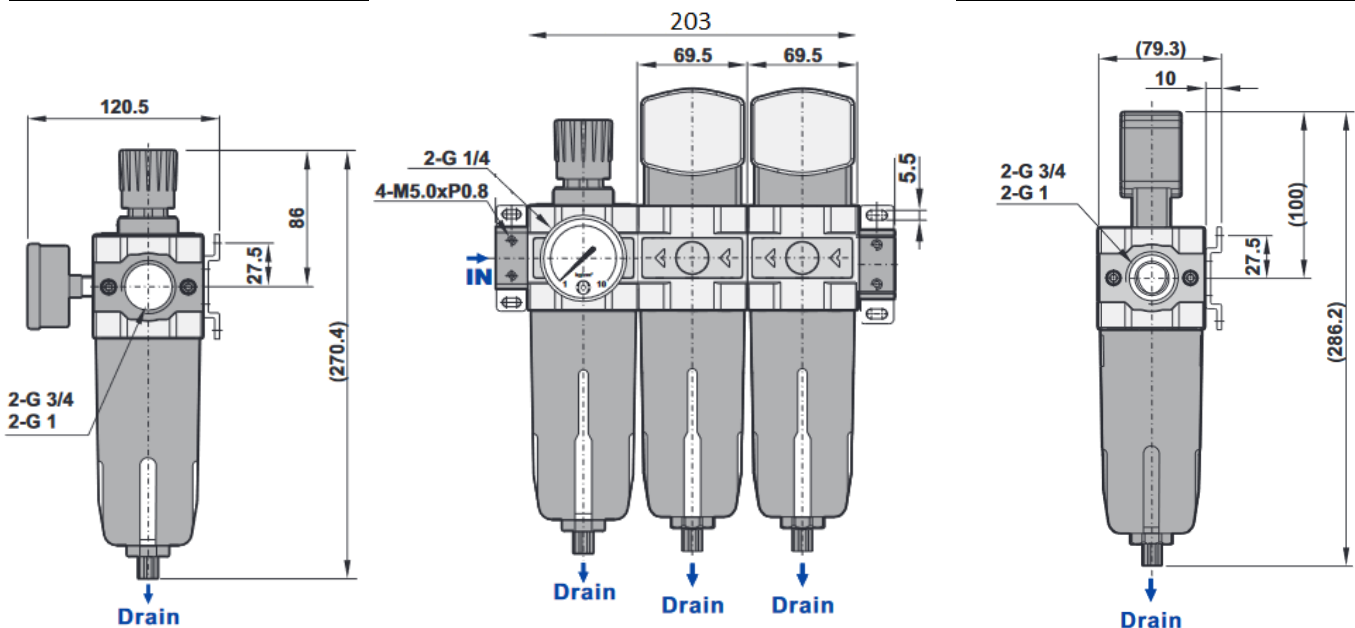
CONSTRUCTION

Body die cast aluminium, Filter bowl Polycarbonate (210cc) optional acid/alkali resistant bowls
 Test Pressure: 15 Bar, Weight 3.76Kg

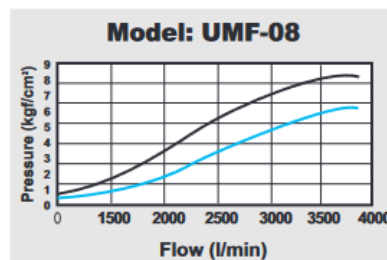
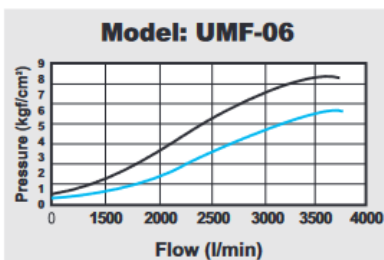
Repair Kit

PE filter elements: 5 micron (NUB0008063), 40 micron (NUB0008064)
 Sintered bronze filter elements: 5µ (KUB0008061), 40µ (KUB0008060)
 Coalescing filter elements: 0.01 micron (ZH08H), 0.1 micron (ZH08H2)
 Activated carbon filter element: (ZH08CHA)
 Filter bowls: Polycarbonate (ZGUF-06B)
 Filter bowls: Acid & alkali resistant (ZGUF-06BA)
 Drain: Manual (ZGUX), Semi Automatic (ZXUX-02)

OVERALL DIMENSIONS



Flow chart



Note:

X axis: Flow (l/min)
 Y axis: Pressure (kgf/cm²)
 Blue line (P0) = Outlet pressure
 Black line (P1) = Inlet pressure
 P1-P0= Pressure range