

Media: water + fluids  
 Max inlet Pressure: 25 Bar Max  
 Back Pressure Range: (0.5–4) or (2–8) Bar  
 Media temperature: -15°C +80°C max  
 Ambient temperature: -15°C to +60°C  
 Media viscosity: 50 centistokes max  
 Mounting: any position

# Pressure Sustaining Valve

## DN50 – DN300

### Stainless 304 or 316

### PILOT ASSISTED

### (0.5 – 4) or (2 – 8) Bar

## TYPE BFS-S



### PRESSURE

Ø Port PN16	Ø Orifice (mm)	Flow Kv L/min	Max Inlet pressure (Bar)	Part Number Pressure Sustaining Adjusting Range Options: (0.5 – 4) or (2 – 8) Bar	List Price	
					304 Stainless	316 Stainless
DN50	50	1072.5	25	BFS50 + body material + pressure range		
DN65	65	1501.5	25	BFS65 + body material + pressure range		
DN80	80	2002	25	BFS80 + body material + pressure range		
DN100	100	3718	25	BFS100 + body material + pressure range		
DN125	125	5577	25	BFS125 + body material + pressure range		
DN150	150	7865	25	BFS150 + body material + pressure range		
DN200	200	14300	25	BFS200 + body material + pressure range		
DN250	250	22880	16	BFS250 + body material + pressure range		
DN300	300	31460	16	BFS300 + body material + pressure range		

### OPTIONS

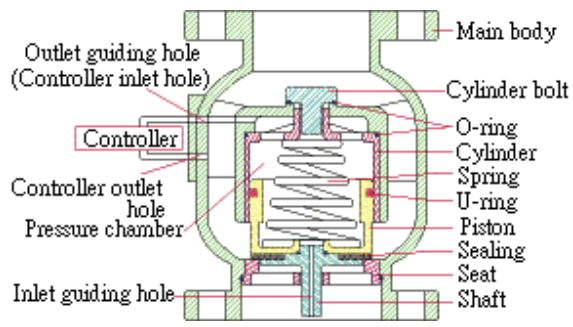
Pressure Regulator 304 Stainless steel Pressure gauge (Displays Back Sustained Pressure) Pressure adjusting range (0.5 to 4 Bar) or (2 to 8 Bar) Other flange options JIS10K, JIS20K, ANSI150Lb, PN10, PN20 Other custom-made sizes (up to 56"), other pressures and other media (acid- alkali – oil) and seal options upon request	<b>Included Included Included TBA</b>
---	---

### REPAIR KIT

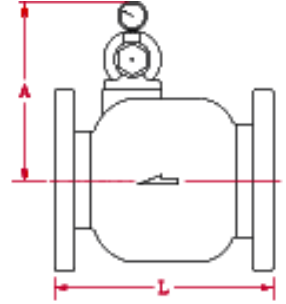
Body seal kit	BFE + port + seal material - KIT
Pressure Sustaining Controller	BFSS + pressure range + seal material

### OVERALL DIMENSIONS

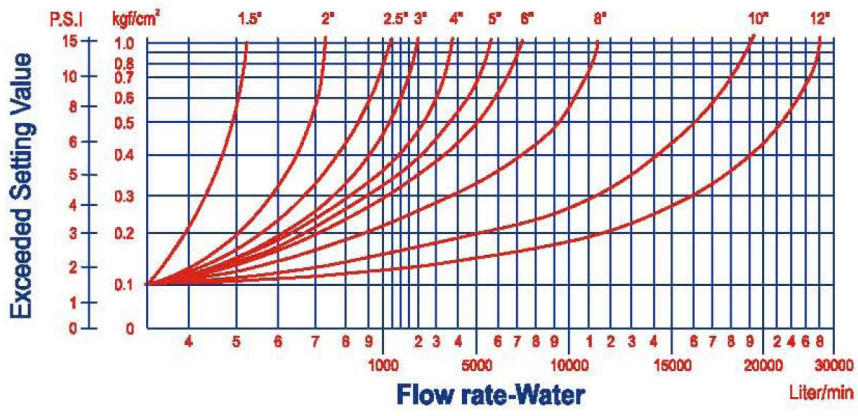
Pressure sustaining valve will maintain a set minimum back pressure regardless of downstream demand. If back pressure drops to minimum set level valve will begin to close to reduce flow to increase back pressure. When pressure increases above minimum set limit valve will slowly open again.



Materials + Pressure Spec	
Main body	304 or 316 Stainless steel
Cylinder bolt	Stainless steel.
O-Ring	NBR (Viton or EPDM)
Cylinder	Stainless steel.
Spring	Stainless steel.
U- ring	NBR (Viton or EPDM)
Piston	Stainless steel.
Sealing	NBR (Viton or EPDM)
Seat	Stainless steel.
Shaft	Stainless steel.
Controller	Stainless steel.
Working	25 Bar
Test	38 Bar



### Flow Chart of Pressure Sustaining Valve



Item	Kg	Dimensions (mm)	
		L	A
BFS50	12	190	180
BFS65	15	210	185
BFS80	18	225	200
BFS100	24	250	222
BFS125	32	280	235
BFS150	44	310	260
BFS200	87	420	300
BFS250	152	470	335
BFS300	202	530	370