

Media: Water + Fluid
 Pressure Rating: 20 Bar Max
 Pressure: (1 - 7), (2 - 10) or (4 - 12) Bar
 Media temperature: -15°C +80°C max
 Media viscosity: 50 centistokes max
 Mounting: any position

Pressure Reducing Valve

DN50 – DN300

Ductile Iron Epoxy Coated

PILOT ASSISTED

(1 - 7), (2 - 10) or (4 - 12) Bar

TYPE BFR-DE



PRESSURE

Ø Port PN16	Ø Orifice (mm)	Flow Kv L/min	Max Inlet Pressure (Bar)	Part Number Pressure Reducing Adjustment Range Options: (1 - 7), (2 - 10) or (4 - 12) Bar
DN50	50	1072.5	20	BFR50DE + pressure range
DN65	65	1501.5	20	BFR65DE + pressure range
DN80	80	2002	20	BFR80DE + pressure range
DN100	100	3718	20	BFR100DE + pressure range
DN125	125	5577	20	BFR125DE + pressure range
DN150	150	7865	20	BFR150DE + pressure range
DN200	200	14300	20	BFR200DE + pressure range
DN250	250	22880	20	BFR250DE + pressure range
DN300	300	31460	20	BFR300DE + pressure range
DN350	350	1072.5	20	BFR350DE + pressure range
DN400	400	1501.5	20	BFR400DE + pressure range

OPTIONS

Pressure Regulator PRV controller Brass
 Pressure gauge (Displays outlet Pressure)
 Pressure adjusting range (1 to 7 Bar), (2 to 10 Bar) or (4 to 12 Bar)
 Other flange options JIS10K, ANSI150Lb, JIS20K, PN10, PN20
 Other custom made sizes (up to 56" DN1400), pressure ranges and other media and seal options available upon request

Included
 Included
 Included

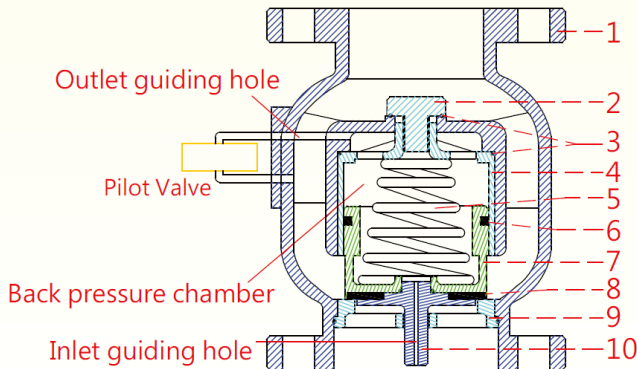
TBA

REPAIR KIT

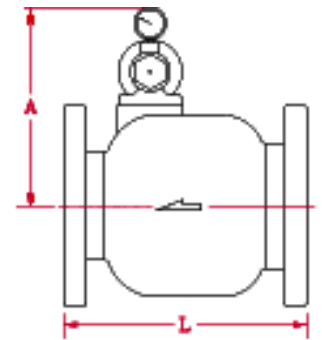
Body seal kit Pressure Reducing Controller	BFE + port size + seal material - KIT BFRB + pressure range + seal material
---	--

OVERALL DIMENSIONS

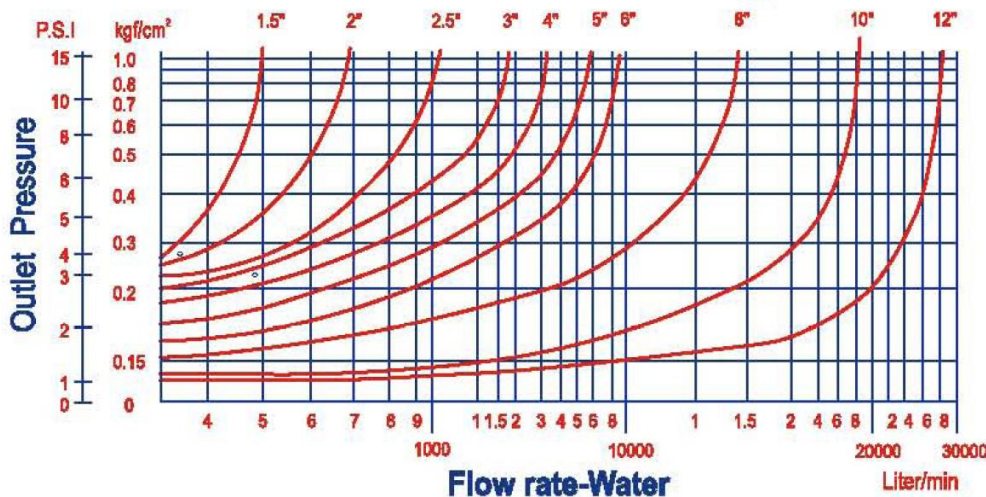
Pressure reducing valve will reduce and maintain a stable set outlet pressure regardless of inlet pressure changes to prevent pipeline and equipment damage caused by accidental over pressure. Outlet pressure is displayed by external pressure gauge.



No	Description	Material
1	Main body	Ductile Iron
2	Cylinder bolt	Ductile Iron
3	O-Ring	NBR
4	Cylinder	Bronze
5	Spring	304 Stainless
6	U- ring	NBR
7	Piston	Bronze
8	Sealing	NBR
9	Seat	Bronze
10	Shaft	Bronze



Flow Chart of Pressure Reducing Valve



Item	Kg	Dimensions (mm)	
		L	A
BFR50	12	190	130
BFR65	15	212	140
BFR80	18	225	155
BFR100	24	250	165
BFR125	32	284	180
BFR150	44	310	215
BFR200	87	420	235
BFR250	152	470	280
BFR300	202	535	310
BFR350		600	350
BFR400		600	355