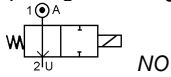


Media: air – water – gas – light oil - vacuum  
 Pressure range: 0 to 10 Bar max  
 Media temperature: 120°C max  
 Ambient temperature: -10°C to +50°C max  
 Media viscosity: 40 centistokes max  
 Mounting: any position  
 Weight (including coil) 340 g  
 Opening or Closing time: 6 - 20 mSec Max



# 2/2 Stainless

1/8 – 1/4  
 NORMALLY OPEN  
 2 WAY DIRECT ACTING  
 0 – 10 Bar  
 TYPE JAX



### PRESSURE

Ø Port BSPT	Ø Orifice (mm)	Flow Kv Ltr/Min	Pressure Rating (Bar)			Seals	Max Media Temp °C	Part Number
			Min	Max AC	Max DC			
1/8	1.6	1.43	0	10	7	NBR Viton EPDM	50 80 120	JA1BXN + voltage JA1BXV + voltage JA1BXE + voltage
	2.4	3.0	0	7	5	NBR Viton EPDM	50 80 120	JA1CXN + voltage JA1CXV + voltage JA1CXE + voltage
1/4	1.6	1.43	0	10	7	NBR Viton EPDM	50 80 120	JA2BXN + voltage JA2BXV + voltage JA2BXE + voltage
	2.4	3.0	0	7	5	NBR Viton EPDM	50 80 120	JA2CXN + voltage JA2CXV + voltage JA2CXE + voltage

### OPTIONS

IP65 Coil & Connector PG9 – DIN 43650 A NPT Thread Seals: Viton (optional NBR or EPDM)	<b>Included</b>
--	-----------------

### ELECTRICAL DATA

Voltage (-10% + 15%) Continuous duty 100%	Coil	Power Consumption		Insulation class	Enclosure	Electrical connections
		Inrush	Holding			
~ 24 - 48 - 110 - 230 - 415 (50/60 Hz)	31400	48 VA	26 VA	F 155°C	IP 65 with connector	3 spades DIN 43650 DIN 40050 VDE 0110
= 12 - 24 (DC)		14 – 20 Watts				

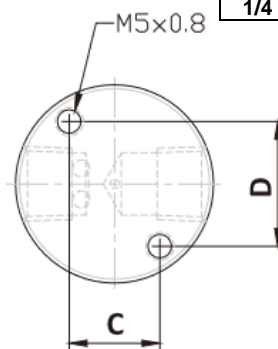
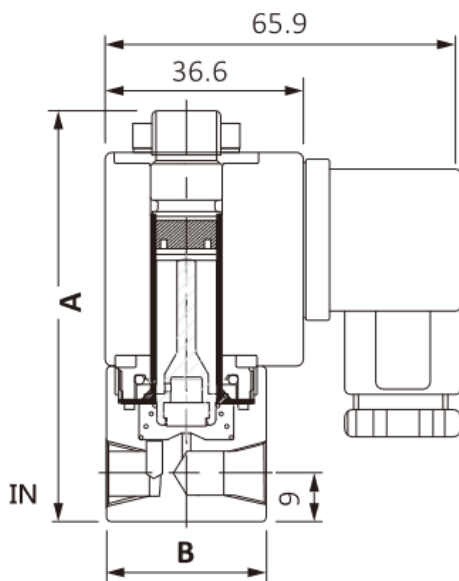
### CONSTRUCTION

Body: AISI303 Stainless steel  
 Tube and internal parts: stainless steel  
 Head & plunger: 430Fr Stainless steel  
 Seals and gaskets: FPM (Optional EPDM & NBR)  
 Moulded coil: Resin

### REPAIR KIT

Coil	31400 + voltage
Armature & Seal Kit	EVB22000JAX + seal material

### OVERALL DIMENSIONS



Port	A	B	C	D	KG
1/8	89	30	15.2	17.8	0.34
1/4	91	35	16	22	0.39