

Features

1. Specially for high pressure 0.5~50bar.
2. Large flow rate.
3. Quick response.
4. Ex-proof coil T4 as optional accessory, please refer to page 5-9.
5. Timer for setting on/off time as optional accessory.
6. Coil nut is available, please refer to page 5-3.



Patent number in Taiwan : M391595
Patent number in US. : GB2480100

How to order

PU225X - 03 N - S1 L E																																				
<table border="1"> <tr> <th>Brass 50 bar high pressure Pilot acting</th> <th>Port size</th> <th>Thread</th> <th>Voltage</th> <th>Led</th> <th>Ex-Proof coil</th> </tr> <tr> <td></td> <td>03 : 3/8"</td> <td>Blank : G</td> <td>S1 : 110VAC</td> <td>Blank : W/O LED</td> <td>Blank : Standard</td> </tr> <tr> <td></td> <td>04 : 1/2"</td> <td>N : NPT</td> <td>S2 : 220VAC</td> <td>L : W/I LED</td> <td>E : EX-proof coil</td> </tr> <tr> <td></td> <td>06 : 3/4"</td> <td>R : Rc</td> <td>S6 : 24VAC</td> <td></td> <td></td> </tr> <tr> <td></td> <td>08 : 1"</td> <td></td> <td>S7 : 12VDC</td> <td></td> <td></td> </tr> <tr> <td></td> <td></td> <td></td> <td>S9 : 24VDC</td> <td></td> <td></td> </tr> </table>	Brass 50 bar high pressure Pilot acting	Port size	Thread	Voltage	Led	Ex-Proof coil		03 : 3/8"	Blank : G	S1 : 110VAC	Blank : W/O LED	Blank : Standard		04 : 1/2"	N : NPT	S2 : 220VAC	L : W/I LED	E : EX-proof coil		06 : 3/4"	R : Rc	S6 : 24VAC				08 : 1"		S7 : 12VDC						S9 : 24VDC		
Brass 50 bar high pressure Pilot acting	Port size	Thread	Voltage	Led	Ex-Proof coil																															
	03 : 3/8"	Blank : G	S1 : 110VAC	Blank : W/O LED	Blank : Standard																															
	04 : 1/2"	N : NPT	S2 : 220VAC	L : W/I LED	E : EX-proof coil																															
	06 : 3/4"	R : Rc	S6 : 24VAC																																	
	08 : 1"		S7 : 12VDC																																	
			S9 : 24VDC																																	

How to order Repair kit

ZGPU225X - 03

Repair kit	Port size	Description	Qty.
	03 : 3/8", 1/2"	Piston	1
	06 : 3/4", 1"	Armature set	1

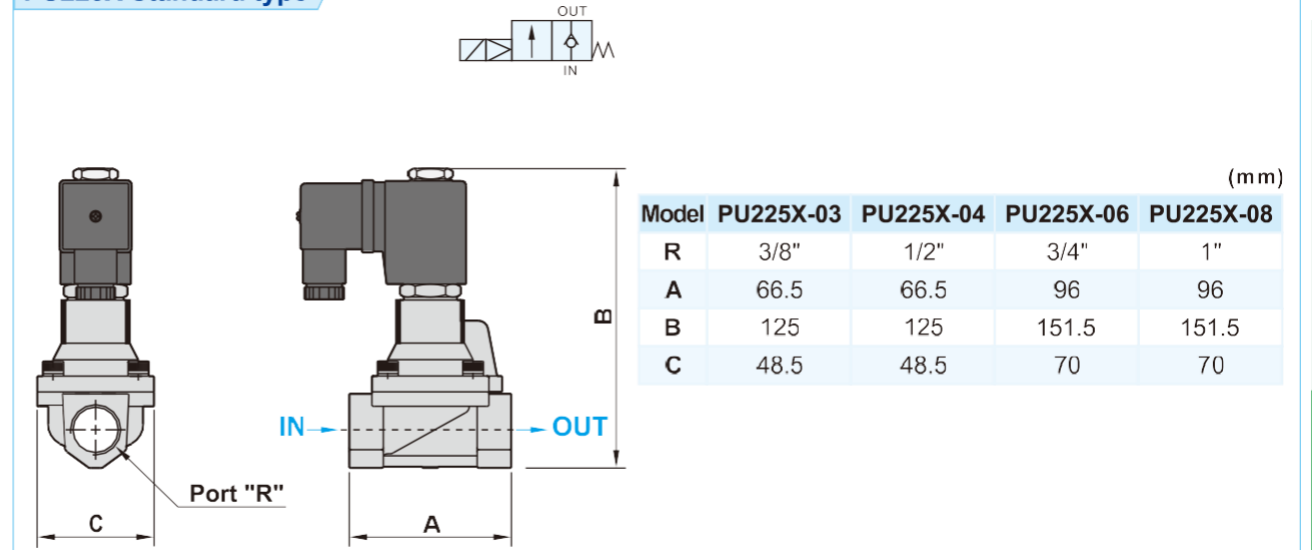
* For the flange type, please contact our sales.

Specifications

Model	PU225X-03	PU225X-04	PU225X-06	PU225X-08
Port size	3/8"	1/2"	3/4"	1"
Fluid	Compressed air			
Orifice	13mm		25mm	
CV value	4.5		12	
Effective area	88mm ²		230mm ²	
Acting	Pilot acting			
Construction	Piston			
Operating pressure range	0.5 ~ 50 kgf/cm ² (0.5~50Bar)			
Proof pressure	76.5 kgf/cm ² (75Bar)			
Body material	Forged Brass			
Piston ring	SUS 304			
Fluid temperature	-10°C ~ 90°C			
Ambient temperature	-10°C ~ 60°C			
Installation	Horizontal			
Duty cycle	100% ED			
Coil type	DIN			
Protection class	IP65 (DIN 40 050)			
Insulation class	F			
Voltage tolerance	±10%			
Standard voltage	220VAC, 110VAC, 24VDC, the other voltage is optional			
Power consumption	AC110V:17.6VA, AC220C:18.1VA, DC: 15W			
Net weight	860g	840g	1800g	1750g

Dimensions

PU225X Standard type



Explosion

