

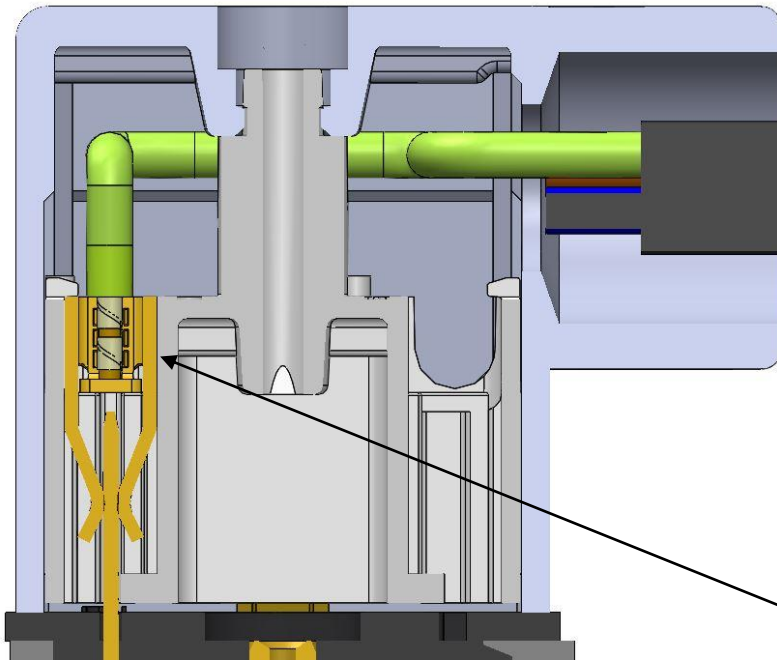
Connector Contact Wiring Instructions (New version)

The wire, assembled with ferrule (wire end sleeves) has to be put till the end position.

In this case the achieved depth is 4,3 mm.

The wire has to be fixed in this position.

1. Using ferrule is **mandatory**.
2. Non-insulated ferrule is **recommended**.



Direction of protecting earth: 12h

