

Media: air – water – liquid - vacuum
 Pressure range: 0 to 10 Bar max
 Media temperature: +2°C to +90°C max
 Ambient temperature: +2°C to +60°C
 Mounting: Any (Except upside down)
 Cycles: 70,000
 Opening/Closing: 10 Seconds
 Duty cycles: 100%
 Mounting: ISO5211 F03 + F05
 Stainless Bracket ½-1, PVC 11/4-2

Actuated UPVC Ball Valve

1/2 – 2 BSP
FAILSAFE & STANDARD
 2 WAY Manual Override
 0 – 10 Bar
TYPE ABVP-MO



PRESSURE

Port BSP	Orifice mm	Operating Time Secs	Pressure (Bar) ΔP		Function	Voltage	Seal	Part Number	
			Min	Max					
1/2	15	10	0	10	Failsafe Control Power ON valve Opens Power OFF valve Closes <i>(Failsafe requires 30 seconds Power On to recharge the Farah capacitors.)</i> 3 Wire Control Connect Power Red & Negative Black Power to Green - Valve Opens Power off Green - Valve Closes	12-24DC + 24AC	PE EPDM	ABV04PE/9AR-MO	
						110-240vAC		ABV04PE/2AR-MO	
3/4	20	10	0	10		12-24DC + 24AC		ABV06PE/9AR-MO	
						110-240vAC		ABV06PE/2AR-MO	
1	25	10	0	10		12-24DC + 24AC		ABV08PE/9AR-MO	
						110-240vAC		ABV08PE/2AR-MO	
1 1/4	32	10	0	10		12-24DC + 24AC		PF FKM	ABV12PE/9AR-MO
						110v-240vAC			ABV12PE/2AR-MO
1 1/2	40	10	0	10		12-24DC + 24AC			ABV14PE/9AR-MO
						110v-240vAC			ABV14PE/2AR-MO
2	50	10	0	10	12-24DC + 24AC	ABV20PE/9AR-MO			
					110-240vAC	ABV20PE/2AR-MO			

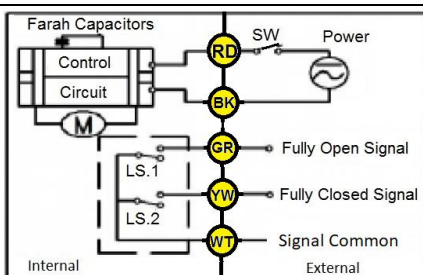
OPTIONS

Visual Position Indicator & E2 Volt free fully Open & fully Closed position feedback switches **Included**
 Failsafe Open (MO-NO Power to close with failsafe Open)
 FKM valve sealing
 3 wire 1 point control (ABV**PE/*-MO)

ELECTRICAL DATA

Continuous duty 100% Open / Close 10 seconds	Open + Closed Position Feed Back Switches (Volt Free – no voltage supplied)	Torque NM	Power			Enclosure	Electrical Connection
			Start	Move	Static		
12vDC Failsafe	36vDC 0.4 Amp Max	27	3.3A	10W	0.18W	IP67	0.5 meter cable
24vDC Failsafe		24.1	1.2A	10.3W	0.29W		
240vAC Failsafe		21.9	125mA	10.2W	0.5W		
12vDC Power Open/Close	36vDC 0.4 Amp Max	25.5	2.5A	2.1W	0.06W		
24vDC Power Open/Close		26	1.2A	2W	0.19W		
240vAC Power Open/Close		16.3	90mA	2.3W	0.4W		

Failsafe – Automatic Return

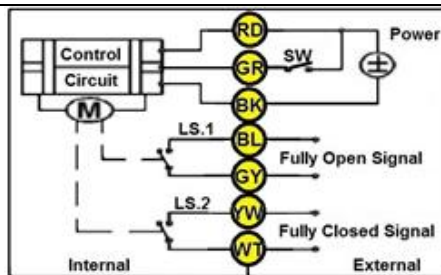


Power ON motor actuates valve into powered position and then automatically powers off. Valve stays in powered position.

Power OFF motor actuates valve back to start position using reserve power. Valve stays in start position.

Failsafe Closed switches: Green Open, Yellow Closed, White Common
Failsafe Open switches: Green Closed, Yellow Open, White common

3 Wire Control

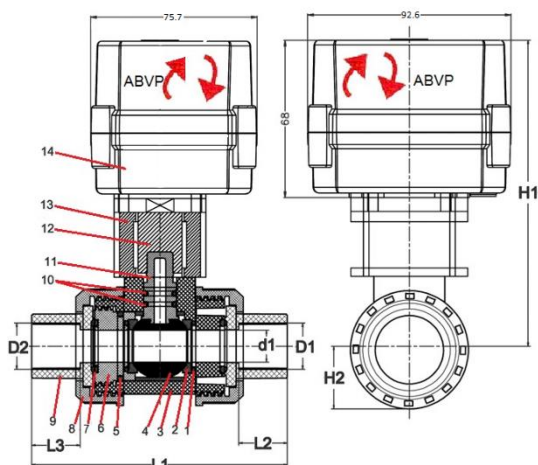


Power ON to GREEN motor actuates valve into powered position and then automatically powers off. Valve stays in powered position.

Power OFF to GREEN motor actuates valve back to start position and then automatically powers off. Valve stays in start position.

Position Feedback: Blue & Grey Open, Yellow & White Closed

OVERALL DIMENSIONS



Port G	L1	L2/L3	H1	H2	Kg
1/2	107	22.3	130	27	0.88
3/4	115	25.5	134.5	32	0.88
1	129	28.6	146.3	37	1.08
1 1/4	144	32	156.8	42	1.45
1 1/2	161	35	163.6	49	1.58
2	173	38	179.6	59	1.9

1	O Ring	EPDM or FKM
2	Sealing	PTFE
3	Body	UPVC
4	Ball	UPVC
5	O Ring	EPDM or FKM
6	Bonnet	UPVC
7	O ring	EPDM or FKM
8	Gland	UPVC
9	Socket	UPVC
10	O Ring	EPDM or FKM
11	Stem	UPVC
12	Adaptor	304 Stainless
13	Adaptor	304 Stainless
14	Actuator	PPA6