

Media: air – water – oil – aggressive
 Pressure range: 0 to 16 Bar max
 Ambient temperature: -20°C to +80°C
 Media viscosity: 500 centistokes max
 Mounting: any position
 Compressed air supply: 5 - 8 Bar
 ISO5211, DIN3337, VD+VDE3845
 Namur + ¼ BSP(G)

2/2 Stainless

1/2 - 4"

Double Acting

Pneumatic Actuated Ball Valve

0 – 16 Bar

TYPE AABV3SS-DA



PRESSURE

Ø Port BSP	Actuator	Pressure (Bar)		ISO5211 Mounting	Drive mm	Part Number
		Min	Max			
1/2	52DA	0	16	F03	11	AABV3SS-04DA
3/4	52DA	0	16	F03	11	AABV3SS-06DA
1	52DA	0	16	F03	11	AABV3SS-08DA
1 1/4	63DA	0	16	F05	14	AABV3SS-12DA
1 1/2	75DA	0	16	F05	14	AABV3SS-14DA
2	75DA	0	16	F05	14	AABV3SS-20DA
2 1/2	83DA	0	16	F05	17	AABV3SS-24DA
3	92DA	0	16	F05	17	AABV3SS-28DA
4	105DA	0	16	F07	22	AABV3SS-32DA

OPTIONS

NPT Thread
 Namur Solenoid Valve (CY525D double acting)
 AABV-Switch Box IP67 open + closed position feed back

CONSTRUCTION

Ball valve: 3 piece 316 stainless steel body + ball with blowout proof stem, Seals and gaskets: PTFE
 Actuator: Aluminium Alloy

Output Torque according to air supply pressure

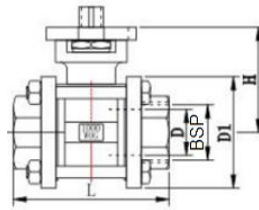
Actuator/Torque	2 Bar	2.5 Bar	3 Bar	4 Bar	4.5 Bar	5 Bar	5.5 Bar	6 Bar	7 Bar	8 Bar
52DA	8	10	12	16	18	20	22	24	28	32
63DA	15	18	22	29	33	36	40	44	51	58
75DA	20	25	30	40	45	50	55	60	70	80
83DA	31	39	47	63	70	78	86	94	110	125
92DA	45	56	68	90	102	113	124	135	158	181
105DA	66	83	99	132	149	165	182	198	231	264

When sizing with other valves allow additional 30% torque

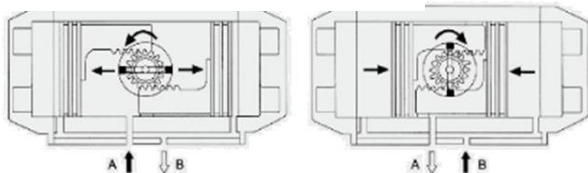
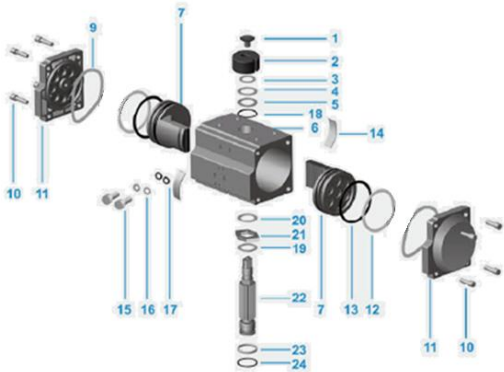
OVERALL DIMENSIONS



Double Acting Namur (fittings included)



Port	DN	L	D	H	D1	Kg
1/2	15	70	15	38	48	1.82
3/4	20	77	20	46	55	2.04
1	25	82	25	53	61	2.26
1 1/4	32	98	32	60	72	3.5
1 1/2	40	111	38	71	79	3.66
2	50	134	49	78	90	4.98
2 1/2	65	165	65	98	117	8.8
3	80	193	80	109	143	12.4
4	100	241	100	130	200	18.9



No	Description	Qty	Material	Wearing Parts
1	Indicator Screw	1	PA66 + SS	
2	Indicator	1	POM	
3	Spring Clip	1	Circlip	
4	Washer	1	Stainless	
5	Outside Washer	1	PTFE	
6	Body	1	Aluminium Alloy Hard Anodised	
7	Piston	2	Cast Aluminium Hard Anodised	
9	End cap O ring	2	NBR/HNBR/FKM	YES
10	Cap Screw	8	Stainless steel	
11	End Cap	2	Cast Aluminium Powder Coated	
12	Bearing piston	2	PTFE	
13	O Ring Piston	2	NBR/HNBR/FKM	YES
14	Guide piston	2	POM	
15	Adjusting bolt	2	Stainless steel	
16	Adjusting screw nut	2	Stainless steel	
17	O ring adjusting nut	2	NBR/HNBR/FKM	
18	O ring piston top	1	NBR/HNBR/FKM	YES
19	Bearing pinion top	1	PTFE	YES
20	Inside washer	1	PTFE	
21	Cam	1	Stainless steel	
22	Pinion	1	Alloy Steel Nickel Plated	
23	Bearing pinion bottom	1	PTFE	
24	O ring pinion bottom	1	NBR/HNBR/FKM	YES