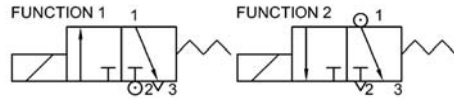




Base Mount Valve 3/2 Way N. C.

Opening 5~20ms

Closing 10~40ms



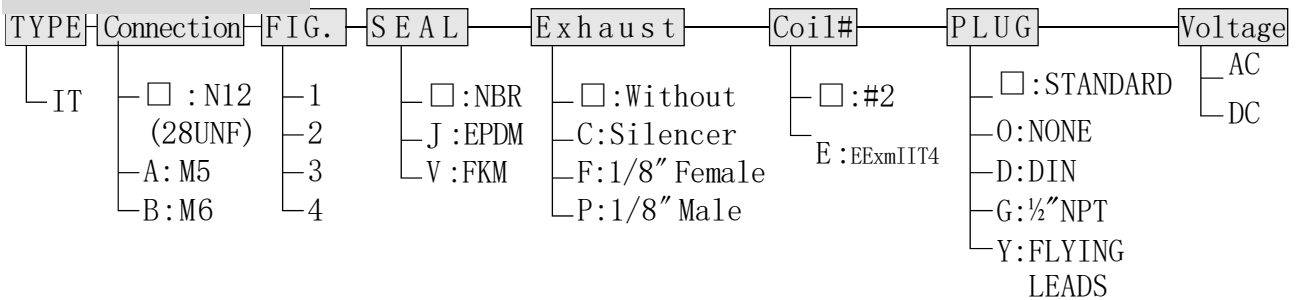
Environment Temp. °C	-5~50	-5~40
Power	#2	#1E
AC (VA)	6.9	5.0
Final Temp. °C	65.0	53.0
DC (W)	6.2	5.0
Final Temp. °C	65.0	75.0

Fluid Temp. °C	#2	#1E
N:NBR	-5~60	
J:EPDM	-10~80	-5~60
V:FKM		

SPECIFICATION: round brass body, For vacuum, water, air, gas, light oil etc

Connetion	Orifice mm			Seal	Coil #	Working Pressure 0 ~ bar				CV	Torr
	Fig. No.	Seat	Top			#2		#1E			
						FUNCTION					
						1	2	1	2		
N12	1	1.0	1.2	N	2	7	10	7	10	0.08	10 ⁻³
M5	2	1.5				5	7	5	7	0.10	10 ⁻²
M6	3	2.0	1.5	J		3	5	3	5	0.12	10 ⁻¹
	4	2.5				V	1	3	1	3	0.15

TYPE INDICATION:



Y:FOR #2 COIL ONLY

Select Example:

Example 1: IT-1-V-D DC24

Type IT, Orifice 1.0×1.2, FKM seal, N12x28UNF screw end, Nass #2 coil with LED DC24V

Example 2: ITA-2 AC220V

Type ITA, Orifice 1.5×1.2, NBR seal, M5xP0.8 screw end, Nass #2 coil standard plug, AC220V

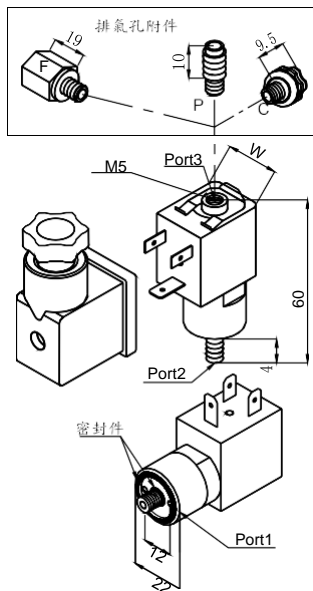
Example 3: ITB-3-E AC220V

Type ITB, Orifice 2.0×1.5, NBR seal, M6xP0.75 screw end, Nass #1 EEXm II T4 coil, AC220V

DIMENSIONS:

Conn.	DIMENSIONS : mm			N. W. : g	
	W		H	#2	#1E
	#2	#1E			
N12	22	55	138	361	
M5					
M6					

DIMENSIONED DRAWING



※The specifications are tested with NASS AC220V/50HZ and DC24V. We reserves the right to change the specifications without prior notice. ◦

E-mail: sales@solenoid-valves.com www.solenoid-valve.world TEL:44-1454-334 990 FAX:44-1454-334 926

c31

Connexion Developments Ltd.