

Media: water - fluid
 Media Temperature: +80°C Max
 Pressure Range: 0 to 10 Bar Max
 Media viscosity: 50 centistokes max

Float Ball Valve

1/2 - 3" DN50 – DN100
 304 Stainless Steel
 Mechanical Full Flow
 0 – 10 Bar
TYPE FBV-SS



PRESSURE

Ø Port BSP	Ball Diameter (mm)	Arm Length (mm)	Pressure Max (Bar)	Part Number
1/2	100	170	10	FBV15-SS
3/4	100	170	10	FBV20-SS
1	100	160	10	FBV25-SS
1 1/4	150	350	10	FBV32-SS
1 1/2	150	350	10	FBV40-SS
2	150	400	8	FBV50-SS
3	200	420	8	FBV80-SS
Flange JIS10K				
DN50	150	400	8	FBV50F-SS
DN80	200	420	8	FBV80F-SS
DN100	200	550	8	FBV100F-SS
DN125	200	550	8	FBV125F-SS

OPTIONS

Fully adjustable water tank level link mechanism
 Higher Pressure and other flange options
 NPT Thread (1/2 to 3" only), Viton seals or All silicone seals (+150C)

Included

CONSTRUCTION

Body: 304 Stainless Steel, Ball: 304 Stainless Steel,
 Seals: Silicone with EPDM Seat

OVERALL DIMENSIONS

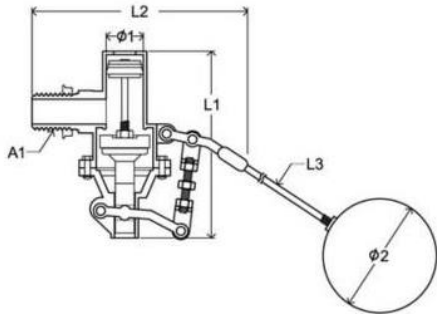
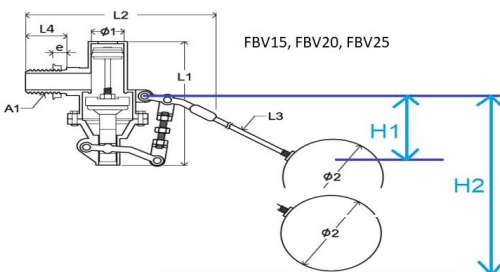
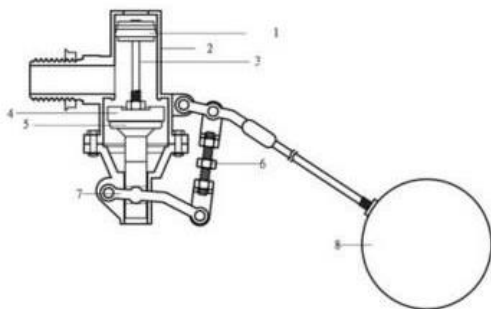


Table of valve sizes				SS304 Ball Float		Kg
A1	L1	L2	Ø1	L3	Ø2	
1/2	110	133	20	170	100	0.67
3/4	110	145	20	170	100	0.72
1	110	145	20	170	100	0.76
1 1/2	170	120	30	300	150	1.75
2	210	130	40	400	150	2.42
3	240	160	60	420	200	5.67



Material Specs		
1	U Ring	EPDM / Silicone
2	Main body	Stainless 304
3	Shaft	Stainless 304
4	U Ring	EPDM / Silicone
5	Piston	Stainless 304
6	Adjusting Screw	Stainless 304
7	Lifting Gear	Stainless 304
8	Float Ball	Stainless 304



Part Number	L4	Ball Highest Level Setting		Ball Lowest Level Setting	
		H1	H2	H1	H2
FBV15SS	25	15	28.5	20	30
FBV20SS	30	15	29.5	21.5	30
FBV25SS	30	22	28.5	21	30.5
FBV40SS	35	5	43.5	23.5	53
FBV50SS	45	8	44	35	65

