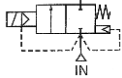


Media: water - fluids
 Pressure range: 0.3 to 7 Bar max
 Media temperature: +5°C to +60°C
 Ambient temperature: +5° to +50° C
 Media viscosity: 50 centistokes max
 Mounting: coil upright
 Open: 50-250mSec Max
 Close: 100-500 mSec Max



2/2 Nylon

3/4 – 2 BSP

NORMALLY CLOSED

2 WAY SERVO ASSISTED

0.3 – 7 Bar

TYPE GP



PRESSURE

Ø Port BSP	Ø Orifice (mm)	Flow Kv Ltr/Min	Pressure Rating (bar) ΔP		Part Number
			Min	Max	
3/4	20	113	0.3	7	GP20 + voltage
1	25	183	0.3	7	GP25 + voltage
1 1/2	38	433	0.3	7	GP40 + voltage
2	50	667	0.3	7	GP50 + voltage

OPTIONS

Flow Adjuster Manual Override (Except latching version) ATEX 22001EX Coil: ATEX EExmII T4 II 2G & 2D IP65 T130°C Latching Version (L) High power 6.8W coil 8/30 and strong armature spring for slightly contaminated media (Not ATEX or Latching)	Included Included
---	------------------------------

ELECTRICAL DATA

Voltage (-10% + 10%) Continuous duty 90%	Coil	Power Consumption		Insulation class	Enclosure	Electrical connections
		Inrush	Holding			
~ 12 – 24 – 110 – 230 (50 or 60 Hz)	22001	11.6VA	8.5VA	F 155°C	IP65	3 spades DIN 43650 DIN 40050 VDE 0110
= 12 – 24 (DC)		4.5 Watts				
= 6 – 12 - 24	Latch	1.5 Watts				

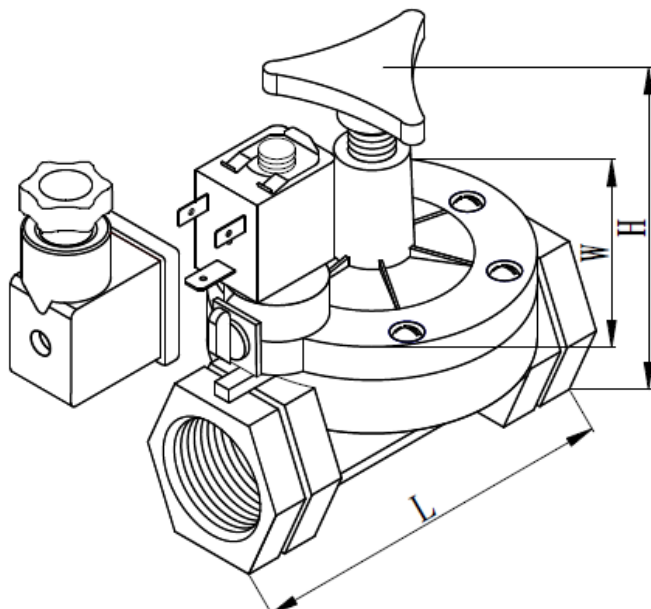
CONSTRUCTION

Body: PA nylon
 Tube and internal parts: Stainless steel
 Seals: NBR
 Moulded coil: Resin

REPAIR KIT

Diaphragm	SP + valve part number - DIAPHRAGM
Coil assembly (Inc Armature)	E98-20000 + voltage + Option (tag or lead connection)

OVERALL DIMENSIONS



Port	H	L	W	Kg
3/4	105	110	81	0.24
1	112	110	81	0.25
1 1/2	180	160	126	0.75
2	190	170	126	0.8