

Features

- * From medium to compact Size, variety of flow rate.
- * Manual override with lock design for easy operation.
- * Anodized aluminum body with special machining inner slot, low friction, strict quality control provides a long durability.
- * Coil nut is available, please refer to page 7-5.
- * Ex-proof coil is available, please refer to page 7-8.



How to order

BM320	N	02	N	S	2	LED	E1
BW series	Acting style	Port size	Thread	Solenoid	Voltage	LED	Coil type
320 3/2 way Pilot acting	Blank Normally closed N Normally open	01 1/8" 02 1/4"	Blank G N NPT R Rc	S Single solenoid D Double solenoid	1 110VAC 2 220VAC 6 24VAC 7 12VDC 9 24VDC	Blank (W/O LED)	For 1/8" Blank Lead wire D DIN For 1/4" Blank DIN F Lead wire E1 EX-proof 22mm width E2 EX-proof 30mm width E3 EX-proof CSA standard

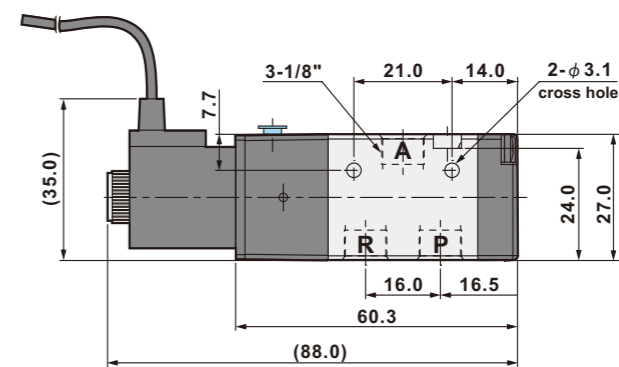
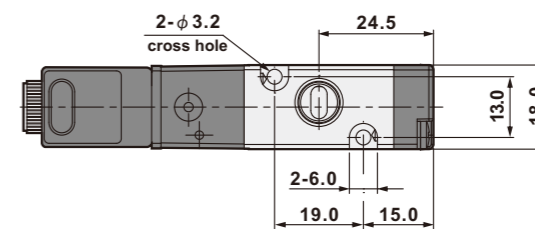
* Please refer to page P7-8 for the details of ex-proof coil. ▲

Specifications

Model	BM320(N)-01	BM320(N)-02
Port size	1/8"	1/4"
Body material	Aluminum alloy	
Fluid	Compressed air	
Effective area	12mm ²	16mm ²
Acting	Internal pilot	
Operating pressure range	1.5~8 kgf/cm ²	
Proof pressure	9.9 kgf/cm ²	
Ambient temperature	-10°C ~ 60°C	
Duty cycle	100% ED	
Coil type	DIN (Standard)	
Protection class	IP65 (DIN 40 050)	
Insulation class	F	
Voltage tolerance	±10%	
Standard voltage	220VAC, 110VAC, 24VDC (The other voltage is optional)	
Net weight	115g	180g

Dimensions

BM320(N)-01



BM320(N)-02

