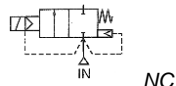


Media: air – water – light oil- gas - fluid  
 Pressure range: 0.5 to 50 Bar  
 Media temperature: -10°C to +90°C Max  
 Ambient temperature: -10°C to +60°C  
 Media viscosity: 50 centistokes max  
 Mounting: Coil upright  
 Opening/Closing time: 500 mSec Max



## 2/2 Brass

### 3/8 – 1

### NORMALLY CLOSED

### 2 WAY SERVO ASSISTED

### 0.5 – 50 Bar

## TYPE PU225X®



#### PRESSURE

Ø Port BSP	Ø Orifice (mm)	Flow Kv Ltr/ min	Pressure Rating (Bar) ΔP		Part Number
			Min	Max	
3/8	13	64.4	0.5	50	PU225X03 + voltage
1/2	13	64.4	0.5	50	PU225X04 + voltage
3/4	25	171.6	0.5	50	PU225X06 + voltage
1	25	171.6	0.5	50	PU225X08 + voltage

#### OPTIONS

IP65 Coil & Connector PG9 – DIN 43650 A  
 ATEX 22003EX Coil: ATEX EExmII T4 II 2G & 2D IP65 T130°C   
 NPT Thread  
 Other custom made options available upon request

#### ELECTRICAL DATA

Voltage (-10% + 10%) Duty rating 100%		Coil	Power Consumption		Insulation class	Enclosure	Electrical connections
			Inrush	Holding			
~	12-24-48-110-220-240-380 (50/60 Hz)	22003	23VA	17VA	H 180°C	IP 65 with connector	3 spades DIN 43650 DIN 40050 VDE 0110
=	12-24-48-110-220 (DC)		15 Watts				

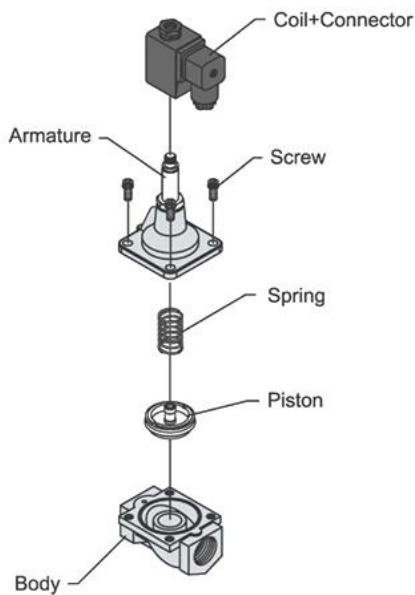
#### CONSTRUCTION

Body: Forged Brass  
 Tube, Piston and internal parts: Stainless steel  
 Seals and gaskets: PTFE + NBR  
 Moulded coil: Resin  
 Test Pressure: 75 bar

#### REPAIR KIT

Coil	22003 + Voltage
Complete Armature assembly	SP + Valve Part Number -ARMATURE
Piston Set	SP + Valve Part Number -PISTON

#### OVERALL DIMENSIONS



Model	Port	A	B	C	Kg
PU225X03	3/8	66.5	106.5	48	0.86
PU225X04	1/2	66.5	106.5	48	0.84
PU225X06	3/4	100	126.5	70	1.8
PU225X08	1	100	126.5	70	1.75

