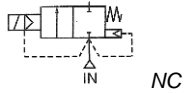


Media: air – water – light oil - steam
 Pressure range: 0.5 to 15 Bar max
 Media temperature: -40°C to +180°C Max
 Ambient temperature: -20°C to +60°C
 Media viscosity: 50 centistokes max
 Mounting: coil upright
 Opening / Closing time: 500 mSec Max



2/2 Steam

3/8 to 1

NORMALLY CLOSED

2 WAY SERVO ASSISTED

0.5 – 15 Bar

TYPE PU22503-08S®



PRESSURE

Ø Port BSP	Ø Orifice (mm)	Flow Kv Ltr/ min	Pressure Rating (Bar) ΔP			Part Number
			Min	Max Air/ Water	Max Steam	
3/8	13	64.35	0.5	15	10	PU22503S + voltage
1/2	13	64.35	0.5	15	10	PU22504S + voltage
3/4	25	171.6	0.5	15	10	PU22506S + voltage
1	25	171.6	0.5	15	10	PU22508S + voltage

OPTIONS

IP65 Coil & Connector PG9 – DIN 43650 A
 ATEX 22003EX Coil: ATEX EExmII T4 II 2G & 2D IP65 T130°C
 NPT Thread

ELECTRICAL DATA

Voltage (-10% + 10%) Duty rating 90%	Nass Coil	Power Consumption		Insulation class	Enclosure	Electrical connections
		Inrush	Holding			
~ 12-24-48-110-220-240-380 (50/60 Hz)	22003	23VA	17VA	H 180°C	IP 65 with connector	3 spades DIN 43650 DIN 40050 VDE 0110
= 12-24-48-110-220 (DC)		15 Watts				

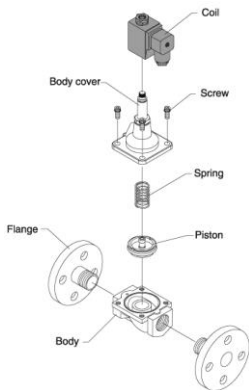
CONSTRUCTION

Body: Forged Brass, Tube and internal parts: Stainless steel
 Seals and gaskets: PTFE, Moulded coil: Duroplast / Thermo set resin

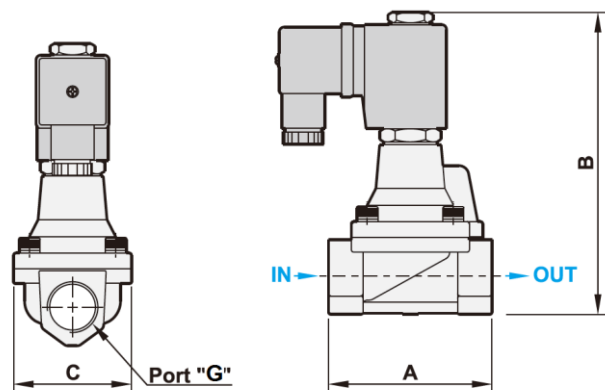
REPAIR KIT

Coil	22003 + Voltage
Complete plunger + O' rings	225320VPTFE
Piston	SP + Valve Part Number -PISTON

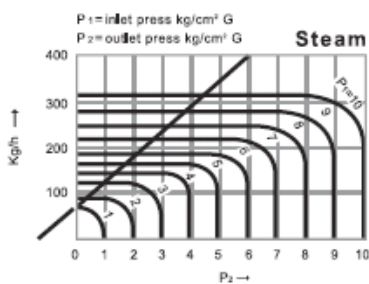
OVERALL DIMENSIONS



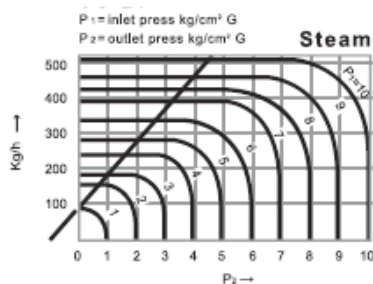
Port	A	B	C	Kg
3/8	66.5	106.5	48	0.86
1/2	66.5	106.5	48	0.84
3/4	96	126.5	70	1.8
1	96	126.5	70	1.75



PU22504S



PU22506S



PU22508S

