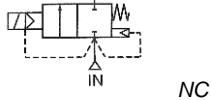


Media: air – water – light oil - steam
 Pressure range: 0.5 to 15 Bar max
 Media temperature: -40°C to +180°C Max
 Ambient temperature: -20° to +60°C
 Media viscosity: 50 centistokes max
 Mounting: coil upright



2/2 Steam Flanged

DN10 – DN25
 NORMALLY CLOSED
 2 WAY SERVO ASSISTED
 0.5 – 15 Bar
 TYPE PU225SF®



PRESSURE

Ø Port PN16	Ø Orifice (mm)	Flow Kv Ltr/min	Pressure Rating (bar) ΔP			Part Number
			Min	Max Gas/Liquid	Max Steam	
DN10	13	64.35	0.5	15	10	PU22503SF4 + voltage
DN15	13	64.35	0.5	15	10	PU22504SF4 + voltage
DN20	25	171.6	0.5	15	10	PU22506SF4 + voltage
DN25	25	171.6	0.5	15	10	PU22508SF4 + voltage

OPTIONS

IP65 Coil & Connector PG9 – DIN 43650 A
 ATEX 22003EX Coil: ATEX EExmII T4 II 2G & 2D IP65 T130°C
 Other Flanges ANSI150Lb (F3) or JIS10K (F)

ELECTRICAL DATA

Voltage (-10% + 10%) Duty rating 90%	Nass Coil	Power Consumption		Insulation class	Enclosure	Electrical connections
		Inrush	Holding			
~ 12-24-48-110-220-240-380 (50/60 Hz)	22003	23VA	17VA	H 180°C	IP 65 with connector	3 spades DIN 43650 DIN 40050 VDE 0110
= 12-24-48-110-220 (DC)		15 Watts				

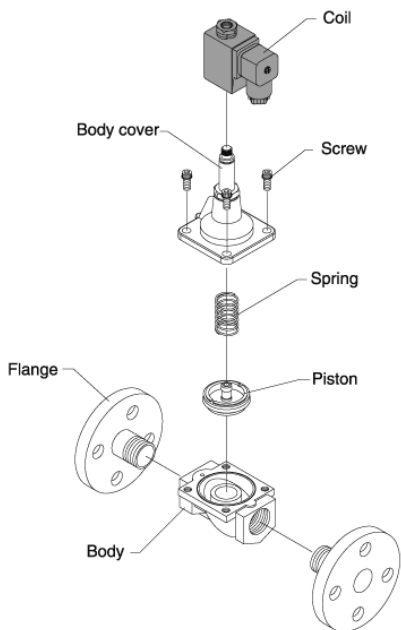
CONSTRUCTION

Body: Brass; Flanges Stainless Steel
 Tube, internal parts & piston: Stainless steel
 Seals and gaskets: PTFE
 Moulded coil: Duroplast / Thermo set resin

REPAIR KIT

Coil	22003 + Voltage
Complete plunger + O' rings	225320VPTFE
Piston	SP + Valve Part Number – PISTON

OVERALL DIMENSIONS



Model	PU22503SF	PU22504SF	PU22506SF	PU22508SF
Flange	PN16	PN16	PN16	PN16
A	110	110	150	152.6
C	151.7	154.2	185.5	186
D	90	95	105	115
PCD	60	65	75	85
Kg	2.13	2.1	2.84	2.66

