

QUEEN

Pilot operated solenoid valves normally closed, energized to open



Features:

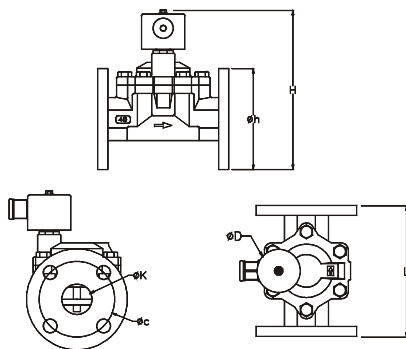
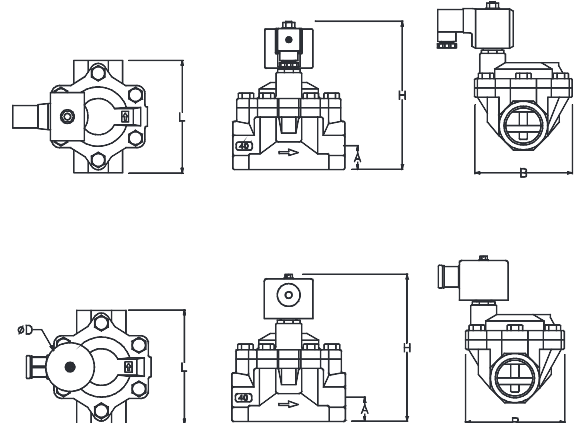
1. Suitable for steam, air, inert gases, water, and oil (Below 50 cst).
2. Can be mounted in vertical and horizontal position.
3. With dual pilot hole, fast response.

Model	Connection	Orifice (mm)	Cv Value	Operating pressure (kg*f/cm ²)		Max. Media Temp.	Power Consumption VA
				Steam Water, Air, Inert gases	Oil (Below 50cst)		
MT-32S(M17)	PT 1 1/4"	33	22	0.3-10	0.3-7	180°C	26
MT-40S(M17)	PT 1 1/2"	43	30				
MT-50S(M17)	PT 2"	53	48				
MT-32FS(M17)	Flange 1 1/4"	33	22				
MT-40FS(M17)	Flange 1 1/2"	43	30				
MT-50FS(M17)	Flange 2"	53	48				

* NPT on request.

* M17 (Molding coil).

Model	Connection	L (mm)	H (mm)	A (mm)	φ D (mm)	B (mm)
MT-32S	PT 1 1/4"	125	170	27	62	102
MT-40S	PT 1 1/2"	140	178	31		122
MT-50S	PT 2"	160	193	37		132
MT-32S-M17	PT 1 1/4"	125	175	27	62	102
MT-40S-M17	PT 1 1/2"	140	183	31		122
MT-50S-M17	PT 2"	160	198	37		132



Model	Connection	L (mm)	H (mm)	φ D (mm)	φ C (mm)	φ K (mm)	φ h (mm)
MT-32FS	Flange 1 1/4"	172	206	φ 62	100	35	135
MT-40FS	Flange 1 1/2"	180	216		105	42	140
MT-50FS	Flange 2"	180	233		120	54	155

Model	Connection	L (mm)	H (mm)	M (mm)	φ C (mm)	φ K (mm)	φ h (mm)
MT-32FS-M17	Flange 1 1/4"	172	211	13	100	35	135
MT-40FS-M17	Flange 1 1/2"	180	221	14	105	42	140
MT-50FS-M17	Flange 2"	180	238	14	120	54	135

