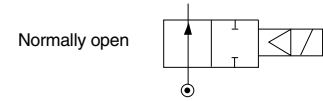


# NOSA

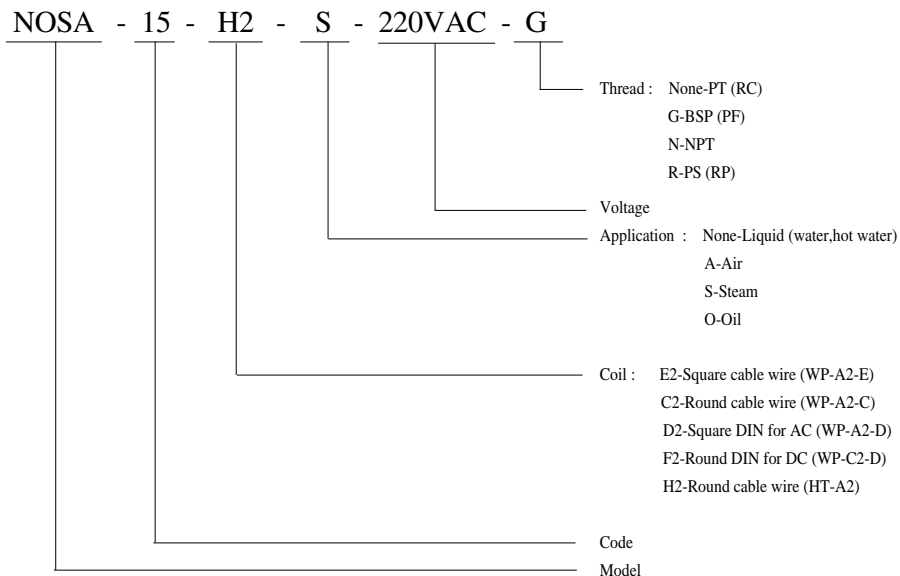
## 2/2-way normally open solenoid valve of forged brass body for high temperature application

### Piston Type



Model	Port size	Orifice (mm)	CV value	Fluid temp. (°C)	Seat disc	Differential pressure kg/cm <sup>2</sup> (bar)				Wt. (kg)
						Liquid	Air	Steam	Oil (200°C)	
NOSA - 14	3/8 "	15	4.5	-10	PTFE	0.5-20	0.5-20	0.5-12	0.5-20	1.65
NOSA - 15	1/2 "	15	4.5			0.5-20	0.5-20	0.5-12	0.5-20	1.63
NOSA - 20	3/4 "	20	9.3			0.5-20	0.5-20	0.5-12	0.5-20	2.13
NOSA - 25	1 "	25	13.2			0.5-20	0.5-20	0.5-12	0.5-20	2.35
NOSA - 35	1 1/4 "	35	26			0.5-20	0.5-20	0.5-12	0.5-20	3.85
NOSA - 40	1 1/2 "	35	26			0.5-20	0.5-20	0.5-12	0.5-20	3.30
NOSA - 50	2 "	50	48			0.5-20	0.5-20	0.5-12	0.5-20	7.35
NOSA - 25AF	1 " Flange	25	13.2	180 (200)	PTFE	0.5-20	0.5-20	0.5-12	0.5-20	5.10
NOSA - 35AF	1 1/4 " Flange	35	26			0.5-20	0.5-20	0.5-12	0.5-20	8.00
NOSA - 40AF	1 1/2 " Flange	35	26			0.5-20	0.5-20	0.5-12	0.5-20	8.15
NOSA - 50AF	2 " Flange	50	48			0.5-20	0.5-20	0.5-12	0.5-20	13.10

### How to order



### Notes:

1. In order to prolong operating life, it is better to allocate pipe horizontally and coil to face upward.
2. Voltage drop range is within  $\pm 10\%$ .
3. Pressure of voltage DC is 70% of voltage AC only.
4. Combined plunger seat & piston ring are made of Teflon®.
5. Max. temperature is up to 200°C.
6. Selection of coil refer to page 136~139.

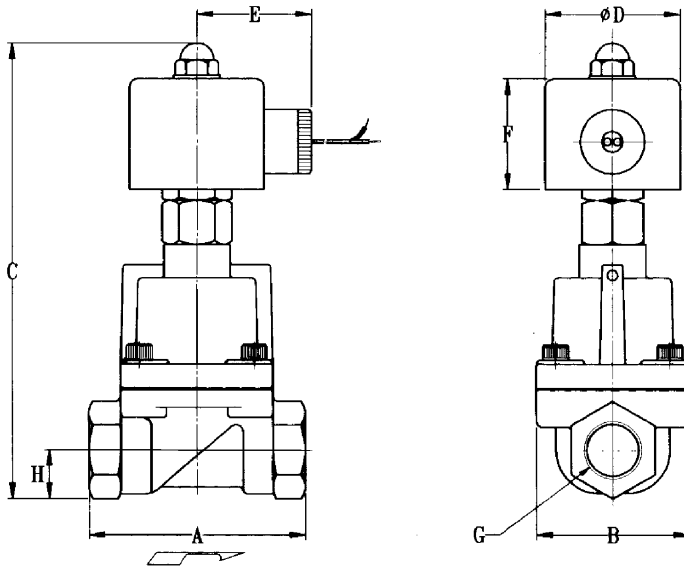
### Inapplicable Fluids:

1. Fluids that have kinematic viscosity over 50 CST.
2. Fluids that will turn to liquid after being heated and become solid after being cooled.
3. Corrosive fluids.

# NOSA

## 2/2-way normally open solenoid valve of forged brass body for high temperature application

### ● NOSA-14~50 Contour Specification Chart

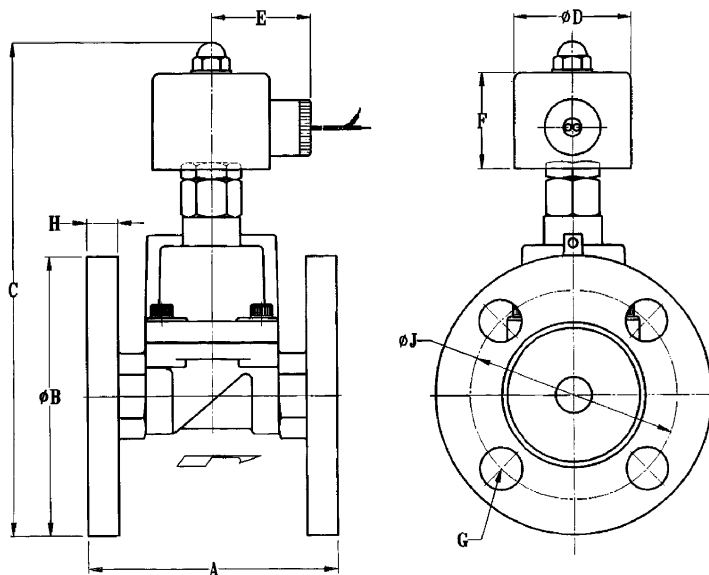


### ● Specifications

Unit:mm

Item Model	A	B	C	D	E	F	G	H	Coil Model
NOSA - 14	75	52	158	53	45	43	3/8 "	14.5	WP-A2-C
				40	40	38			WP-A2-E
				40	65	38			WP-A2-D*
				56	71	38			WP-C2-D*
NOSA - 15	75	52	158	53	45	43	1/2 "	14.5	WP-A2-C
				40	40	38			WP-A2-E
				40	65	38			WP-A2-D*
				56	71	38			WP-C2-D*
NOSA - 20	85	60	165	53	45	43	3/4 "	18	WP-A2-C
				40	40	38			WP-A2-E
				40	65	38			WP-A2-D*
				56	71	38			WP-C2-D*
NOSA - 25	100	70	172	53	45	43	1 "	23	WP-A2-C
				40	40	38			WP-A2-E
				40	65	38			WP-A2-D*
				56	71	38			WP-C2-D*
NOSA - 35	120	90	192	53	45	43	1 1/4 "	33	WP-A2-C
				40	40	38			WP-A2-E
				40	65	38			WP-A2-D*
				56	71	38			WP-C2-D*
NOSA - 40	120	90	192	53	45	43	1 1/2 "	33	WP-A2-C
				40	40	38			WP-A2-E
				40	65	38			WP-A2-D*
				56	71	38			WP-C2-D*
NOSA - 50	150	120	216	53	45	43	2 "	40.5	WP-A2-C
				40	40	38			WP-A2-E
				40	65	38			WP-A2-D*
				56	71	38			WP-C2-D*

### ● NOSA-14~5



### ● Specifications

Unit:mm

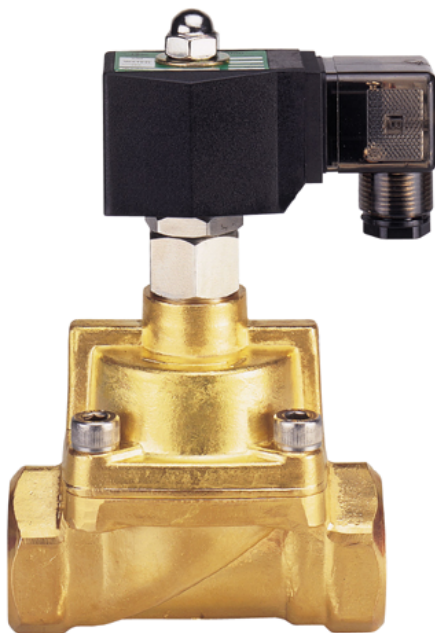
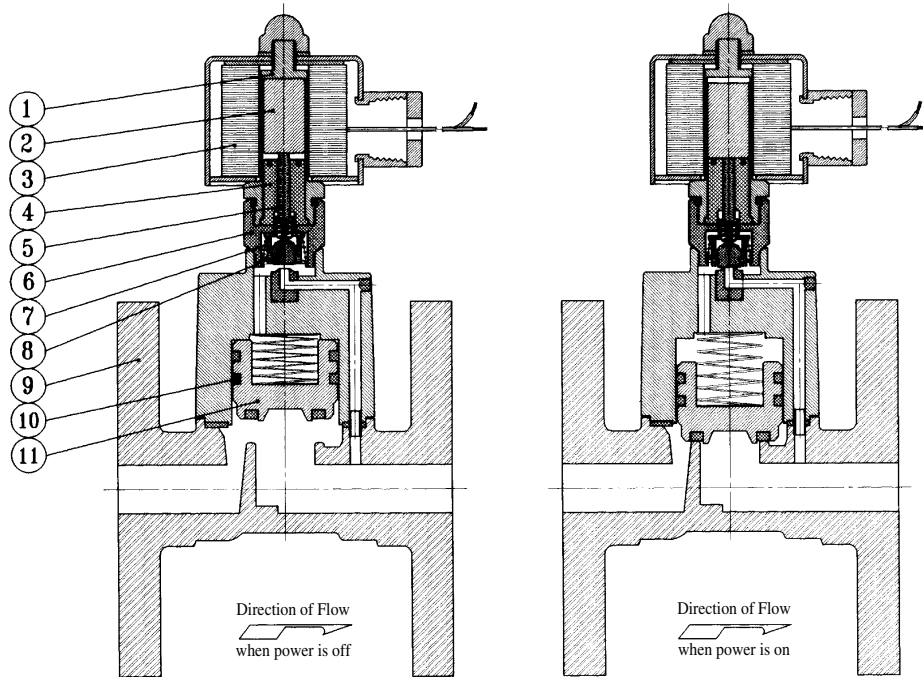
Item Model	A	B	C	D	E	F	G	H	Coil Model
NOSA - 25AF	130	125	205	53	45	43	19	14	WP-A2-C
				40	40	38			WP-A2-E
				40	65	38			WP-A2-D*
				56	71	38			WP-C2-D*
NOSA - 35AF	160	135	220	53	45	43	19	15	WP-A2-C
				40	40	38			WP-A2-E
				40	65	38			WP-A2-D*
				56	71	38			WP-C2-D*
NOSA - 40AF	160	140	223	53	45	43	19	15	WP-A2-C
				40	40	38			WP-A2-E
				40	65	38			WP-A2-D*
				56	71	38			WP-C2-D*
NOSA - 50AF	200	155	257	53	45	43	19	16	WP-A2-C
				40	40	38			WP-A2-E
				40	65	38			WP-A2-D*
				56	71	38			WP-C2-D*

\* with connector

# NOSA

**2/2-way normally open solenoid valve**  
of forged brass body for high  
temperature application

● **NOSA-25AF~50AF Operation Chart**



● **NOSA-14~50AF Material Table**

Item	Article	Material
1	Solenoid Tube	Stainless Steel
2	Slide Block	Stainless Steel
3	Coil	Brass Wire
4	Armature Core	Stainless Steel
5	Sliding Block Linkage	Stainless Steel
6	Joint	Stainless Steel
7	Spring	Stainless Steel
8	Seat	Teflon®
9	Valve Body	Forged Brass
10	Leakproof & Piston Ring	Teflon®
11	Piston	Brass