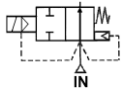


Media: water
 Pressure range: 0.8 to 10 Bar max
 Adjustable range: 0.8 to 6.5 Bar
 Media temperature: +60°C max
 Ambient temperature: 0° to +60°C
 Media viscosity: 22 centistokes max
 Mounting: any position



2/2 Irrigation Valve

1 1/2" to 4"

Pressure Reducing

2 WAY SERVO ASSISTED

0.8 to 10 Bar

TYPE PN225APRV



PRESSURE

Ø Port BSP	Ø Orifice (mm)	Flow Rate Kv L/min	Adjustable Pressure Range (Bar) ΔP		Max Working	Function	Part Number
			Min	Max			
1 1/2	40	417.5	0.8	6.5	10	Normally Closed	PN22514APRV-24vAC
2	50	668	0.8	6.5	10	With	PN22520APRV-24vAC
3	80	1503	0.8	6.5	10	Pressure Reducing Valve + Manual Override	PN22528APRV-24vAC
4" Weld	100	2672	0.8	6.5	10		PN22532SWPRV-24vAC

OPTIONS

IP66 Coil with flying lead wire
 Manual override for open, closed or solenoid control
 NPT Thread
 12vdc, 24vdc, 110vAC or 230vAC
 Pressure adjustment range 0.8 to 6.5 Bar
 Other options available upon request

ELECTRICAL DATA

Voltage (-10% + 10%) Continuous duty 100%		Coil Size	Power	Insulation class	Enclosure	Electrical connections
~	24 - 110 - 230 (50 or 60 Hz)	3W	12.5VA	F 155°C	IP 66	Flying lead wire
=	12 - 24 (DC)		12.5 Watts			

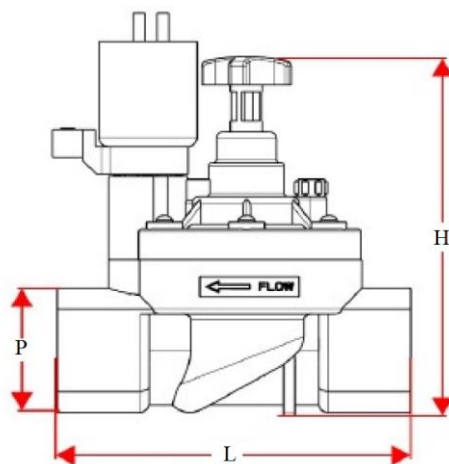
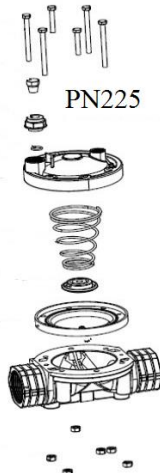
CONSTRUCTION

Body : Glass Reinforced PA66
 Tube, internal parts and bolts : Stainless steel
 Seals and gaskets : NBR
 Moulded coil : Resin

REPAIR KIT

Diaphragm Seal	225N + port + seal material
Coil	3W + voltage

OVERALL DIMENSIONS



Port	H	L	P	Kg
1 1/2	104	190	61	1.6
2	104	200	75	2
3	187	259	112	2.75
4	201	278	136	5.9