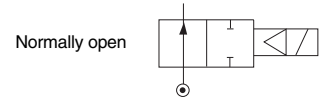


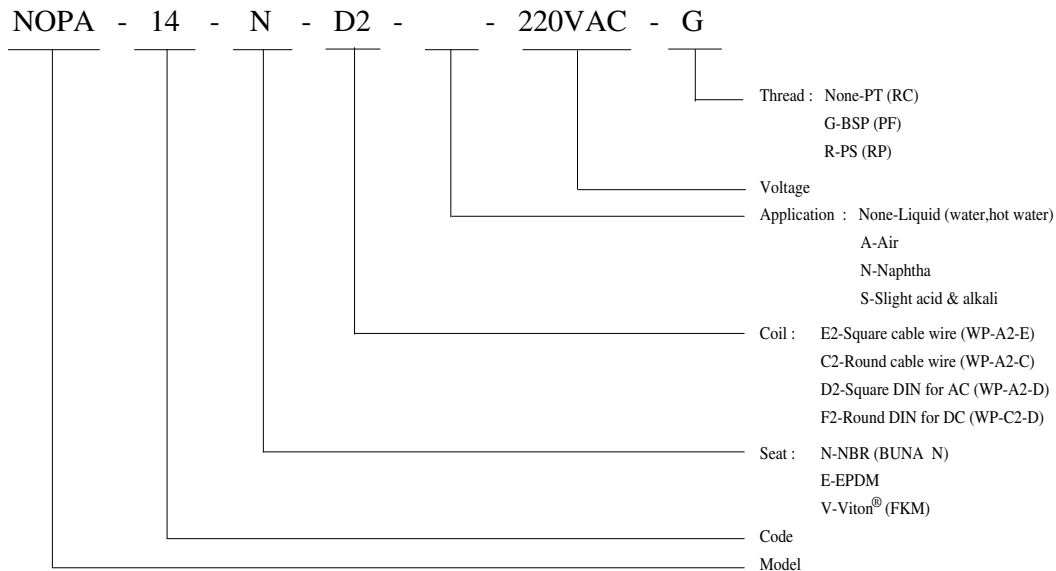
NOPA 2/2-way normally open solenoid valve of P.O.M. body for slight acid & alkali-resistant application

Pilot Type



Model	Port size	Orifice (mm)	CV value	Fluid temp. (°C)	Seat disc	Differential pressure kg/cm ² (bar)					Wt. (kg)
						Liquid	Air	Gas	Naphtha	Slight Acid&Alkali	
NOPA - 14	3/8 "	15	4.5	-10	NBR	0.5-10	0.5-10	--	0.5-10	0.5-10	1.30
NOPA - 15	1/2 "	15	4.5			0.5-10	0.5-10	--	0.5-10	0.5-10	1.32
NOPA - 20	3/4 "	20	9.3	}	EPDM	0.5-10	0.5-10	--	0.5-10	0.5-10	1.6
NOPA - 25	1 "	25	13.2			0.5-10	0.5-10	--	0.5-10	0.5-10	1.65
NOPA - 35	1 1/4 "	35	26	80	Viton®	0.5-10	0.5-10	--	0.5-10	0.5-10	1.8
NOPA - 40	1 1/2 "	35	26			0.5-10	0.5-10	--	0.5-10	0.5-10	1.85

How to order



Notes:

1. In order to prolong operating life, it is better to allocate pipe horizontally and coil to face upward.
2. Voltage drop range is within $\pm 10\%$.
3. Pressure of voltage DC is 70% of voltage AC only.
4. Min. pressure of 0.5 kg/cm² is required to activate.
5. Max. temperature is up to 130°C.
6. Selection of coil refer to page 136~139.
7. Silver shading ring is custom-made.

Inapplicable Fluids:

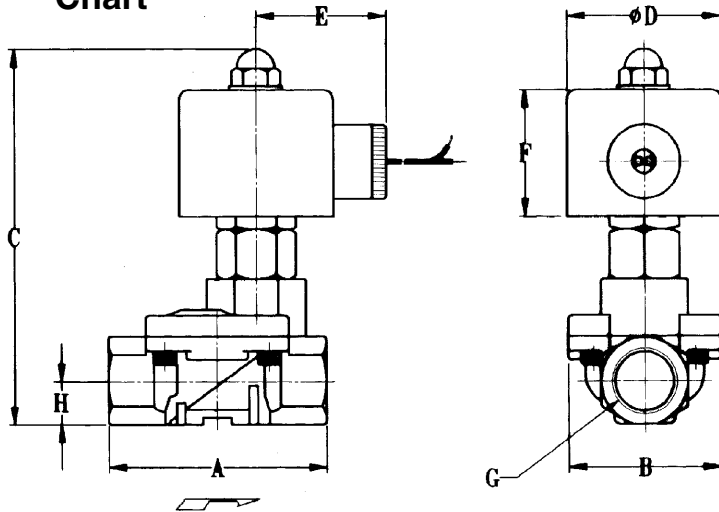
1. Fluids that have kinematic viscosity over 50 CST.
2. Fluids that will turn to liquid after being heated and become solid after being cooled.
3. Strong corrosive fluids.

NOPA

2/2-way normally open solenoid valve
of P.O.M. body for slight acid & alkali-resistant application

● NOPA-14~40 Contour Specification Chart

Chart

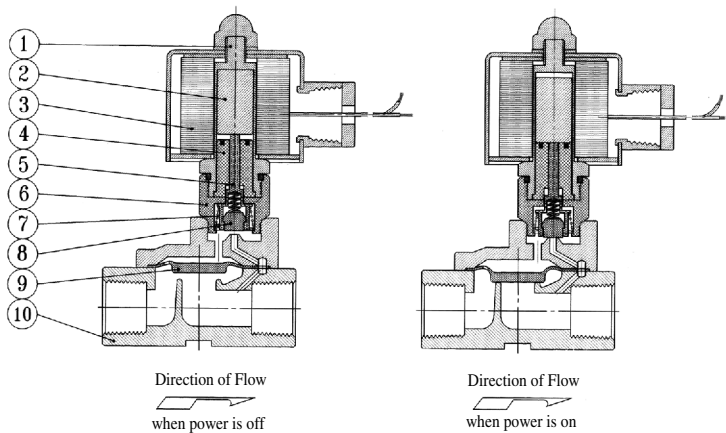


● Specifications

Unit:mm

Item Model	A	B	C	D	E	F	G	H	Coil Model
NOPA - 14	73.5	48	128	53	45	43	3/8 "	15	WP-A2-C
				40	65	38			WP-A2-E
				56	71	38			WP-A2-D*
									WP-C2-D*
NOPA - 15	73.5	48	128	53	45	43	1/2 "	15	WP-A2-C
				40	65	38			WP-A2-E
				56	71	38			WP-A2-D*
									WP-C2-D*
NOPA - 20	104	90	147	53	45	43	3/4 "	23.5	WP-A2-C
				40	65	38			WP-A2-E
				56	71	38			WP-A2-D*
									WP-C2-D*
NOPA - 25	104	90	147	53	45	43	1 "	23.5	WP-A2-C
				40	65	38			WP-A2-E
				56	71	38			WP-A2-D*
									WP-C2-D*
NOPA - 35	120	120	170	53	45	43	1 1/4 "	33	WP-A2-C
				40	65	38			WP-A2-E
				56	71	38			WP-A2-D*
									WP-C2-D*
NOPA - 40	132	120	170	53	45	43	1 1/2 "	34	WP-A2-C
				40	65	38			WP-A2-E
				56	71	38			WP-A2-D*
									WP-C2-D*

● NOPA-14~40 Contour Specification Chart



● NOPA-14~40 Material Table

Item	Article	Material
1	Solenoid Tube	Stainless Steel
2	Slide Block	Stainless Steel
3	Coil	Brass Wire
4	Armature Core	Stainless Steel
5	Sliding Block Linkage	Stainless Steel
6	Joint	Stainless Steel
7	Spring	Stainless Steel
8	Seat	NBR, EPDM, Vitor®
9	Valve Body	P.O.M