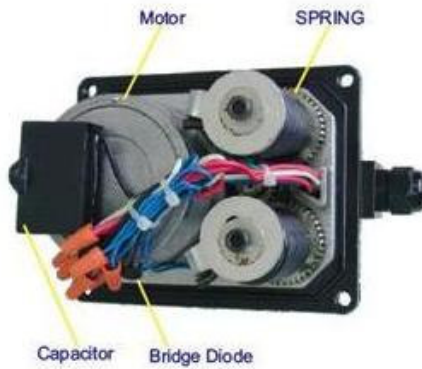


Description



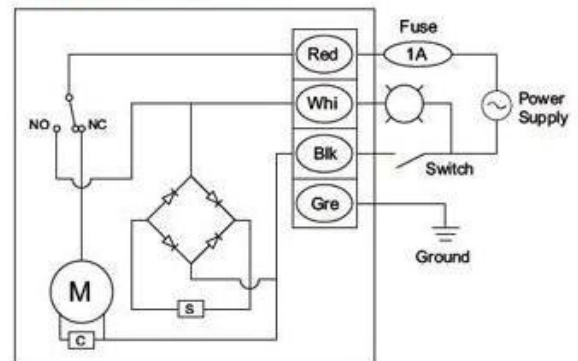
1. Two power cords wiring . (Same wiring sketch as Solenoid Valve).
2. MK3 Actuator are fit for assembling with 2 way or 3 way ball valves.
3. MK3 Actuator can set it as emergence shut-off (power on to open) or set it as emergence open (power off to close).
4. MK3 are suit to pressure range from 0 ~ 10 kg*f/cm²
5. Acting time 2.5 seconds from close position to open position , vice versa.
6. Power failure or electric outage , MK3 are available for manual operation.
7. With water proof dust proof aluminum housing.



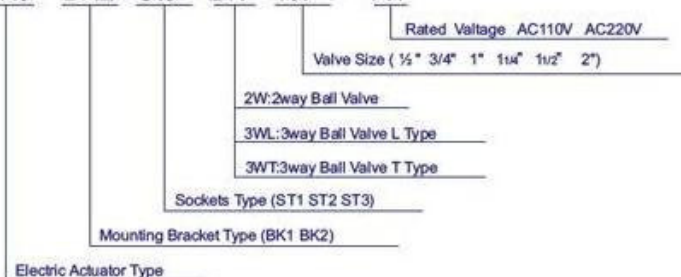
Motor Valve Performance Chart

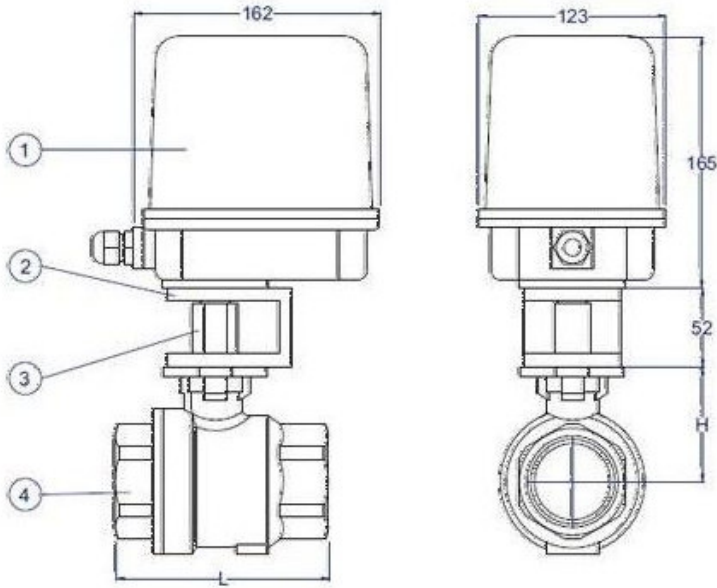
Fluid	Water, Air, Oil
Fluid Temp.	-5°~120° None Freezing
Max. Pressure Diff.	20kg*/cm ²
Max. Pressure	10kg*/cm ²
Fluid Direction	No limitation
Rated Voltage	AC100,110V 50/60Hz AC200,220 50/60Hz
Power Consumption	80VA(Motor) 8VA(Solenoid)
Time For 90°	About 2.5 seconds
Ambient Temp.	0~50°
Installation	Vertical ± 15°
Insulation	IP 65

Wiring Sketch of Actuator



MK3 - BK2 St3 - 2W 40P - A1





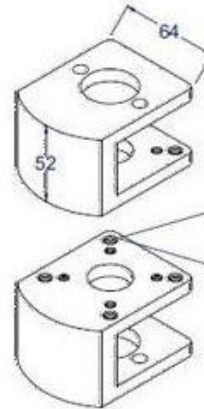
Parts Lists and Material Specifications

No.	Descriptions	Material
1	Motor Actuator	Assembly
2	Mounting bracket	FC20
3	Socket	50BV30 Carbon Steel
4	Ball Valve	CF8M Stainless Steel

Socket's Dimensions

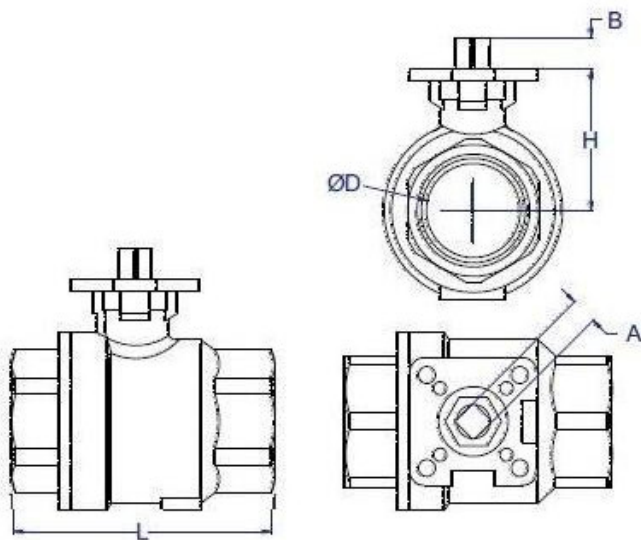


Type	ST1	ST2	ST3
Connect with Actuator	19	19	19
Connect with Valve stem	9	11	14



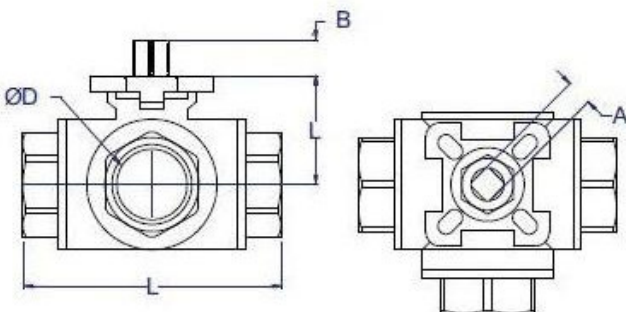
Mounting Bracket Dimensions

- BK1 M5x4 on Ø40 pod
M8x4 on Ø70 pod
- BK2 M6x4 on Ø50 pod
M8x4 on Ø70 pod



2Way Full Port Ball Valve Dimensions

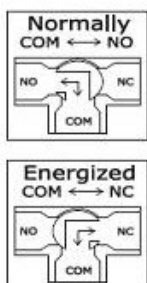
Size	ØD (mm)	L (mm)	H (mm)	A (mm)	B (mm)	ISO 5211	Weight (kg)
1/2"	15	69	35	9	10	F03-F04	0.4
3/4"	20	80	39	9	10	F03-F04	0.5
1"	25.4	90	45	11	14	F04-F05	0.9
1 1/4"	32	106	56	11	14	F04-F05	1.4
1 1/2"	38	120	63	14	19.5	F05-F07	2
2"	50	140	75	14	19.5	F05-F07	3.4



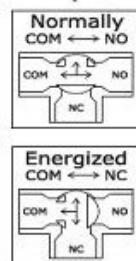
3Way Full Port Ball Valve(L-type or T-type) Dimensions

Size	ØD (mm)	L (mm)	H (mm)	A (mm)	B (mm)	ISO 5211	Weight (kg)
1/2"	15	75	38	9	10	F03-F04	0.9
3/4"	20	86	41	9	10	F03-F04	1.1
1"	25.4	110	47	11	14	F04-F05	1.7
1 1/2"	38	137	68	14	19.5	F05-F07	3.4
2"	50	158	80	14	19.5	F07	6.8

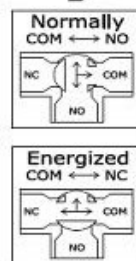
L TYPE



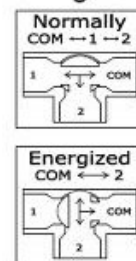
1



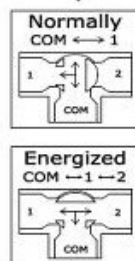
2



3



4



T TYPE

